



# imagePROGRAF TM-305/TM-300/TM-205/TM-200

---

## Setup Guide

ENGLISH

Read this manual before attempting to operate the printer. Keep this manual for future reference.

---

## Guide d'installation

FRANÇAIS

Lisez ce manuel avant d'essayer d'utiliser l'imprimante. Conservez ce manuel pour toute consultation ultérieure.

---

## Guia de configuração

PORTUGUÊS

Leia este manual antes de tentar operar a impressora. Guarde este manual para referência futura.

---

## Guía de configuración

ESPAÑOL

Lea este manual antes de intentar operar la impresora. Conserve este manual a mano para futuras referencias.



**Important** • Instructions in this Setup Guide show the TM-305 printer. Note that your printer may look different from these illustrations in some cases. However, the basic operations are the same.

## Before Setting Up the Printer

In order to ensure that this product is used safely, be sure to read the precautions.

-> [Quick Guide \(separate manual\)](#)

## Installation Space

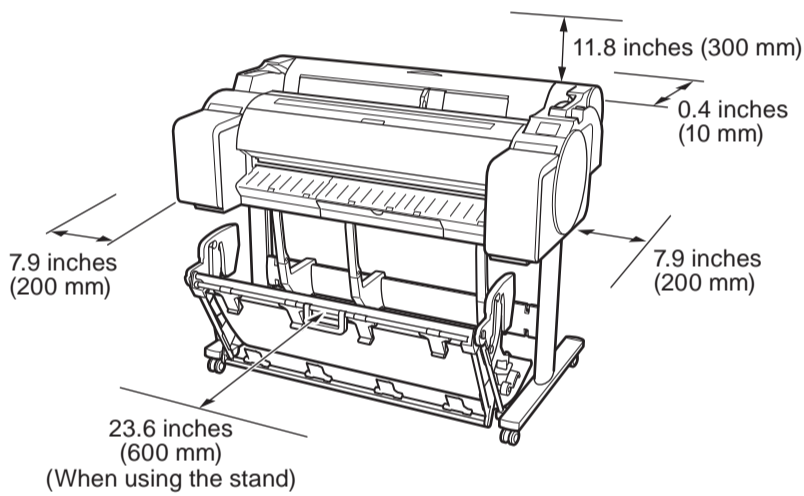
It is recommended that you reserve space of the following dimensions to allow you to work around the printer. The images below show the space required to install each printer.

**Important** • The printer stand may not be included with your model.  
• The space required in front of the printer differs on how the basket supplied with the printer stand is used. This shows the installation space when used in the position in the illustration.

### TM-305/TM-300

Installation space (W x D x H)

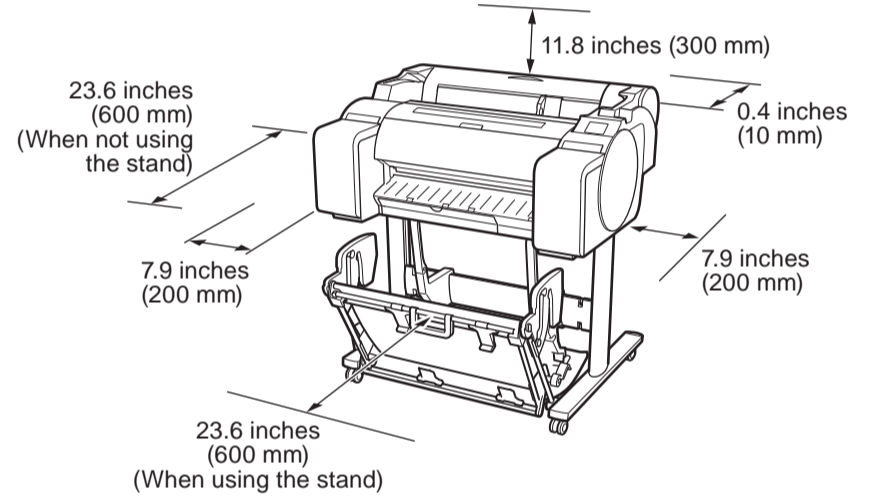
- When using SD-32  
66.5 x 67.0 x 53.6 inches (1689 x 1700 x 1360 mm)



### TM-205/TM-200

Installation space (W x D x H)

- When not using the stand  
54.5 x 53.5 x 29.1 inches (1382 x 1358 x 739 mm)
- When using SD-23  
54.5 x 67.0 x 53.6 inches (1382 x 1700 x 1360 mm)



## Overview of Setup

Set up the printer using the following procedure.

- \* Assembling the Stand (P.3)
- Installing the Printer (P.3)
- Turning On the Printer (P.5)
- Installing the Ink Tanks (P.6)
- Installing the Print Head (P.7)
- Loading Paper (P.9)
- Performing Print Head Adjustment and Selecting the Connection Method (on p.11 to p.13)
  - Connecting to the Printer

• Check this also after setup is complete.

- Printing From a Smartphone or Tablet (P.13)
- Storing Accessories (P.13)
- Loading Roll Paper After Setup (P.13)
- Displaying the Online Manual (P.14)

If an error message appears during setup or other problems occur, refer to "Responding to Messages" on p.14.

• Windows is a trademark or registered trademark of Microsoft Corporation in the U.S. and/or other countries.

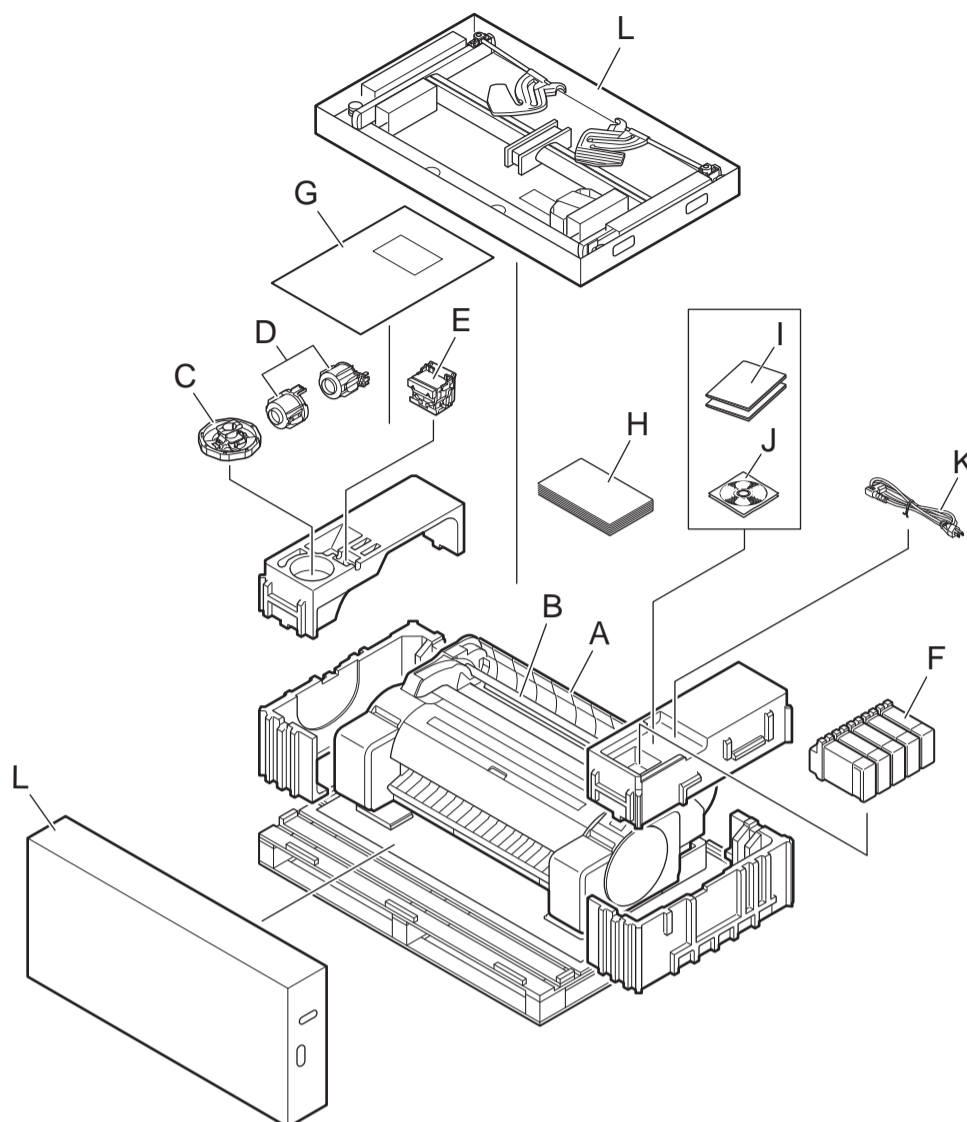
## Package Contents

- A. Printer
- B. Roll holder: Already mounted on printer
- C. Holder stopper (\*1)
- D. 3-inch paper core attachment (R, L)
- E. Print head
- F. Starter ink tanks (for first-time installation)  
(C, M, Y, MBK, BK)
- G. Paper for adjustment
- H. Setup Guide (this manual)
- I. Set of printer documentation
- J. Set of CD-ROMs
- K. Power cord
- L. Stand set (\*2)

\*1 The holder stopper is used when loading roll paper.  
For details, refer to the Online Manual.

\*2 Stand set

- Only included as standard in some regions.
- It may be packaged in a separate box depending on the region where you purchased the printer.
- Stand accessories are described in the Printer Stand Setup Guide.



- Note**
- Some items are included with the printer but not described in this manual. Keep these items in a safe place after setup because they are used in various printing applications.
  - For instructions on the included items not described in this manual, refer to the Online Manual. ("Displaying the Online Manual" on p.14)
  - A cable to connect the printer to a computer is not provided with the printer.

## Manuals Supplied with This Printer

The following manuals are included with this printer.

### Printed Manuals

#### Setup Guide (this manual)

Describes how to setup the printer.

#### Printer Stand Setup Guide

Describes how to assemble the stand.  
This may not be included depending on your region and selected purchase options.

#### Quick Guide

Contains information related to warnings for using this product safely and information related to replacing paper, ink tanks, and the print head.

### Electronic Manuals

#### Online Manual

The Online Manual describes all aspects of printer use from basic instructions for printing on roll or cut sheet paper, to tips for saving paper and maintaining the best printing quality. It also describes how to print posters and banners from the supplied software.

To view the electronic manuals, refer to "Displaying the Online Manual" (p.14).



## Assembling the Stand

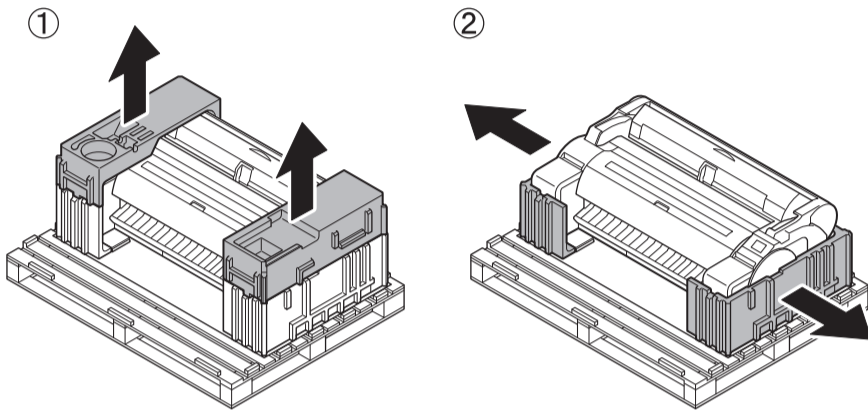
- When using the stand  
-> Assemble the stand on which you will install the printer by referring to the Printer Stand Setup Guide (separate manual).
- When not using the stand  
-> Proceed to "Installing the Printer".



## Installing the Printer

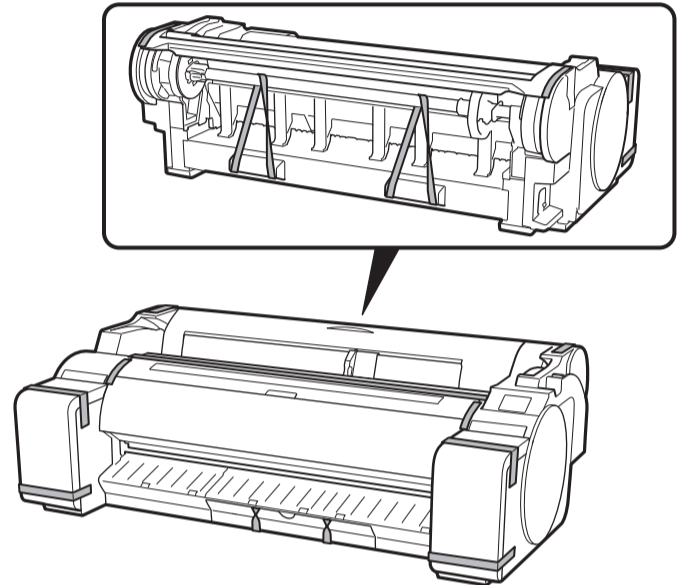
# 1

Remove the packaging material.



# 2

Remove all of the tape and other packaging material. Remove the tape affixed to the roll holder.



# 3

Have 3 people lift up the printer. Have 1 person grasp the carrying handles at the bottom of each side, and 1 person grasp the handles in the middle of the rear side.

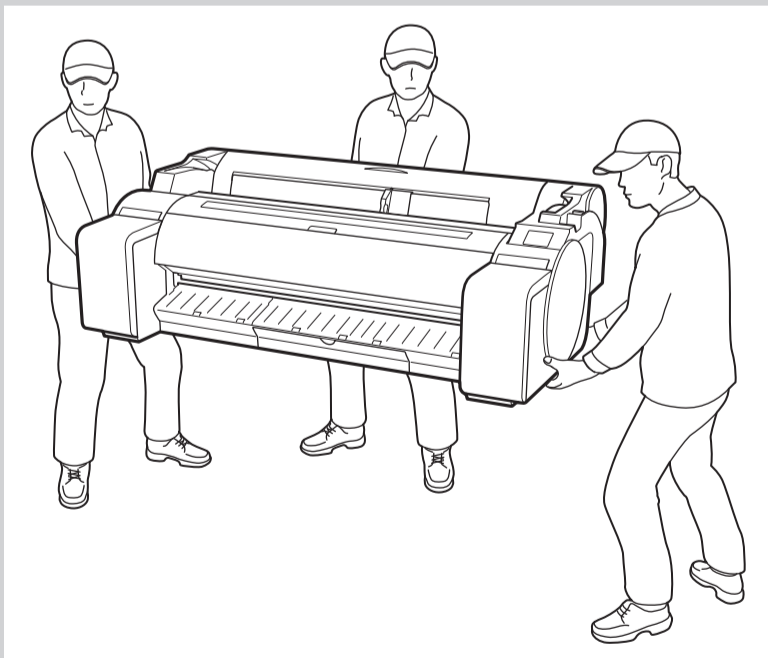


Caution

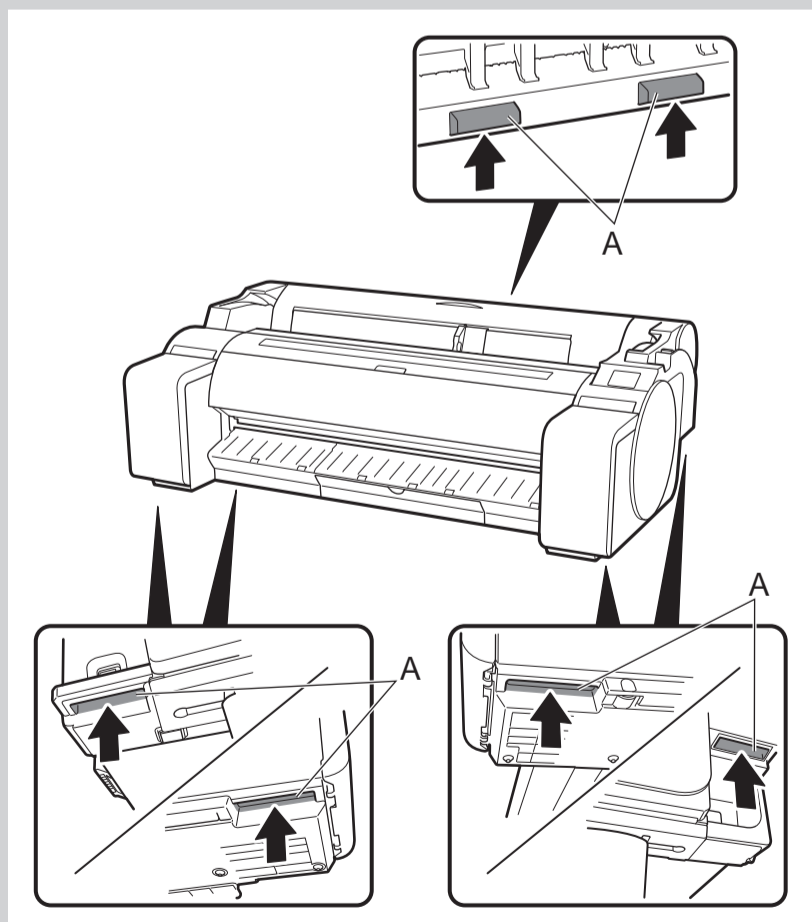
- Moving the printer requires at least 3 people, holding it on the left, right, and rear sides. Be careful to avoid back strain and other injuries due to the weight of the printer.

<Printer weight (printer only)>

- TM-305: Approx. 108 lb (49 kg)
- TM-300: Approx. 106 lb (48 kg)
- TM-205: Approx. 91 lb (41 kg)
- TM-200: Approx. 91 lb (41 kg)

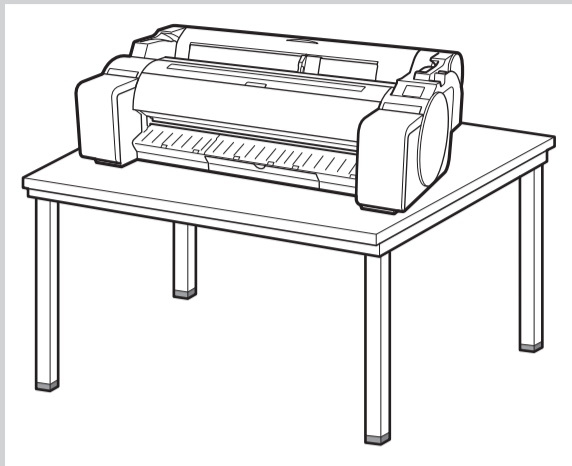


- When moving the printer, firmly grasp the carrying handles (A) under each side and at the rear side. Holding the printer at other positions is dangerous and cause injury and damage if the printer is dropped.





**Caution** • When setting the printer down temporarily make sure to put the printer on a flat, stable surface.

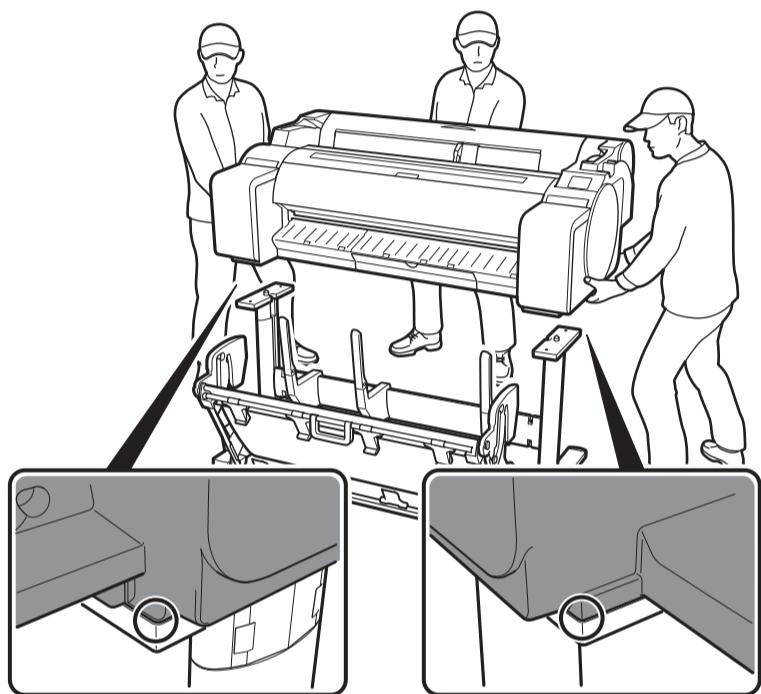


• Supporting only the center of the printer when carrying or setting the printer down may damage the printer.



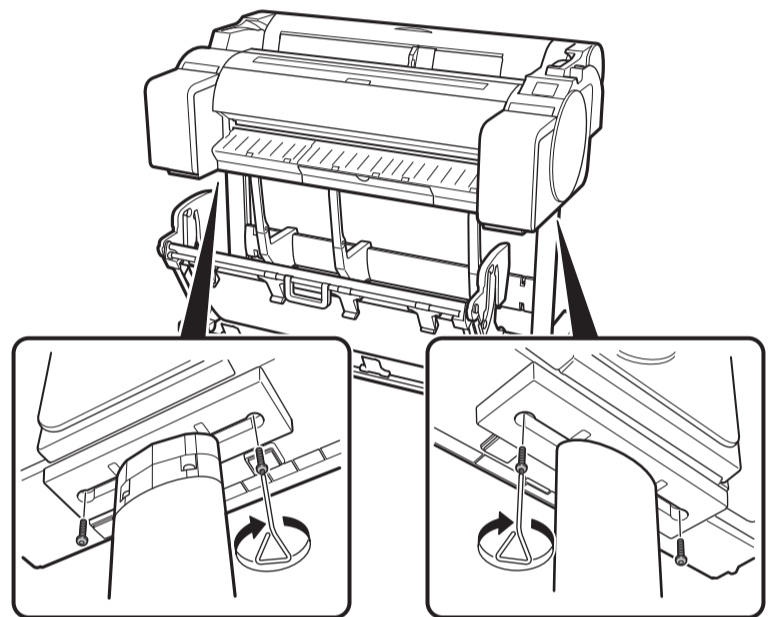
**4**

Place the printer on the stand such that the rear bottom corners of the printer are aligned with the corners of the stand.



**5**

Affix the printer to the stand. Use an allen wrench to secure the printer with 2 M4 hex screws on each side from the underside of the supporting plate.



**Important**

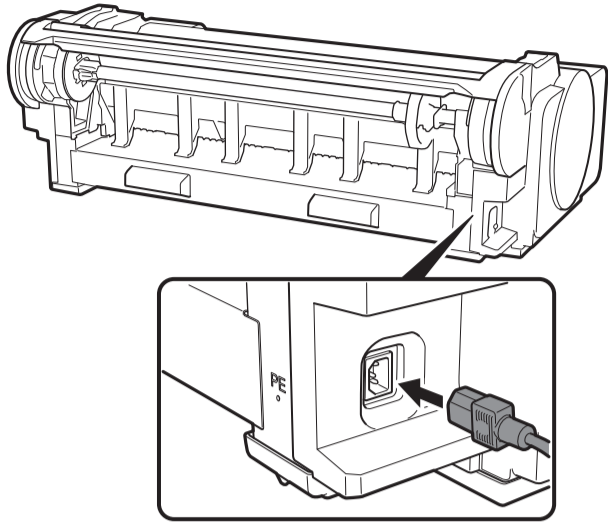
• If you are not using a stand, place the printer in the installation location and proceed to "Turning On the Printer".



## Turning On the Printer

1

Insert the power cord into the power connector on the side of the printer.

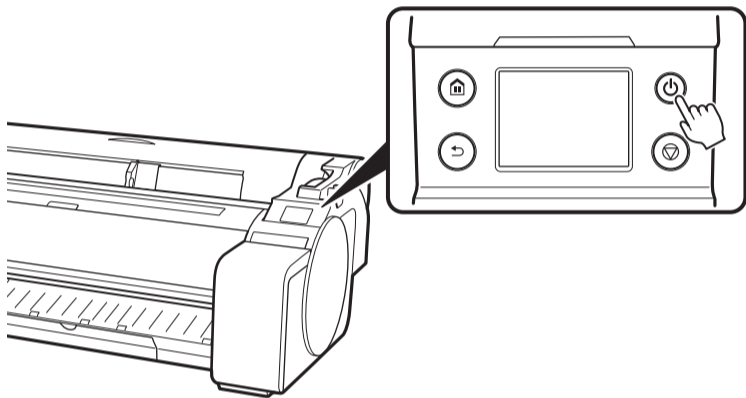


2

Plug the power cord into the outlet.

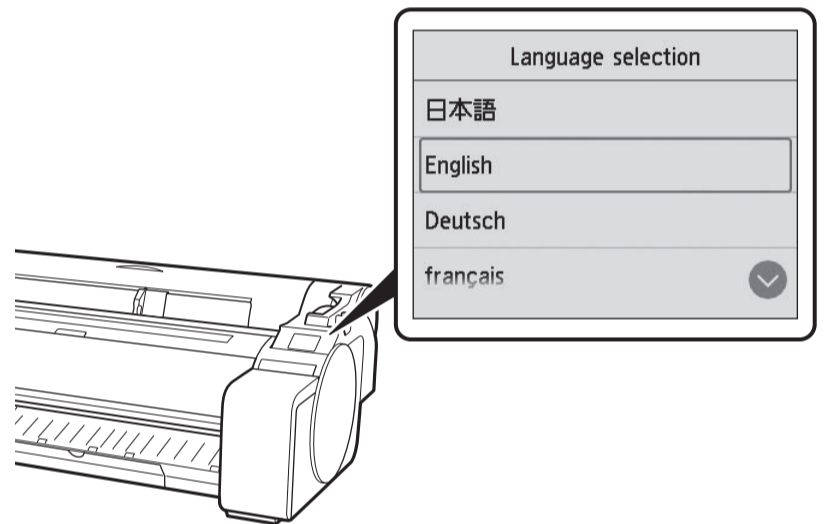
3

Turn on the printer.



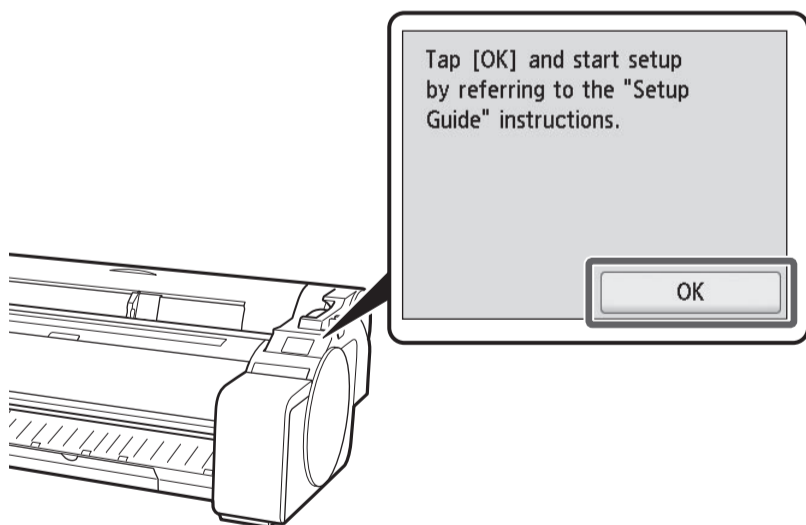
4

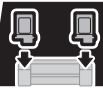
When the language selection screen appears on the touch screen, select a language. Then, if the screen for selecting a time zone appears, select your region.



5

When a message asking you to start the setup appears on the touch screen, select **OK**.

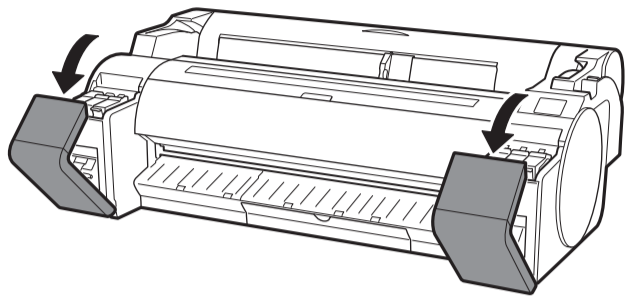




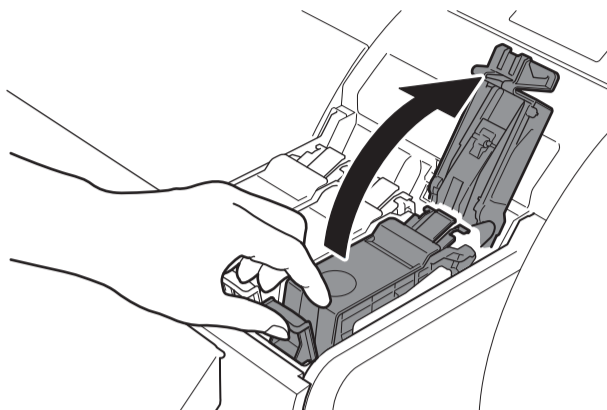
# Installing the Ink Tanks

Install the 5 ink tanks by following the instructions on the screen.

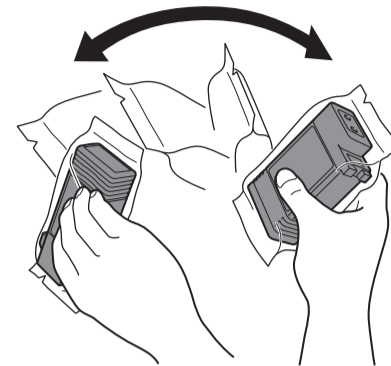
**1** Instructions on ink tank installation are shown on the touch screen. Open the ink tank covers as instructed by grasping the handles.



**2** While pushing the tip of the ink tank lock lever horizontally, open the ink tank lock lever upwards.



**3** Shake each ink tank gently 1 or 2 times before opening its pouch.



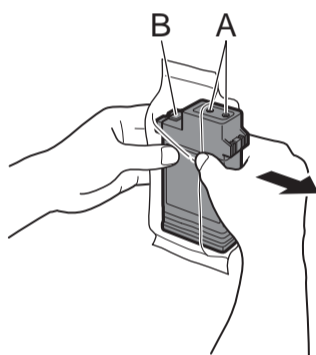
**Important**

• Failure to shake the ink tanks may result in reduced print quality because ink ingredients have settled on the bottom of the tank.

**Note**

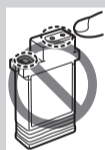
• If the ink tank is cold, allow it to adjust to room temperature before attaching it to the printer.

**4** Open the pouch and remove the ink tank.

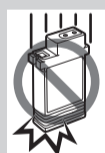


**Important**

• Never touch the ink holes (A) or metal contacts (B). Touching these parts may cause stains, damage the ink tank, and affect print quality.

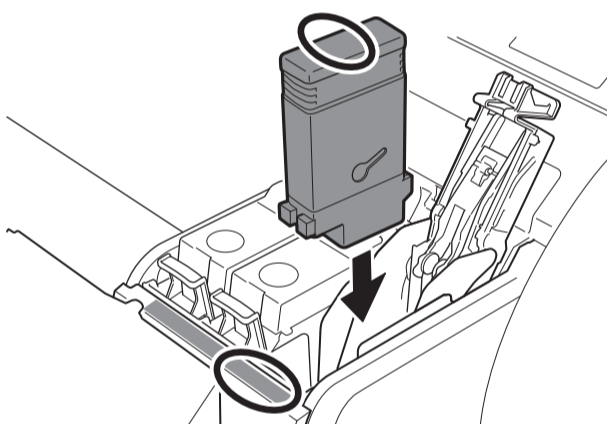


• Avoid dropping the ink tank after removing it from the pouch. Otherwise, ink may leak and cause stains.



• Do not remove ink tanks to shake them after they have been mounted. Doing so may cause ink to spill.

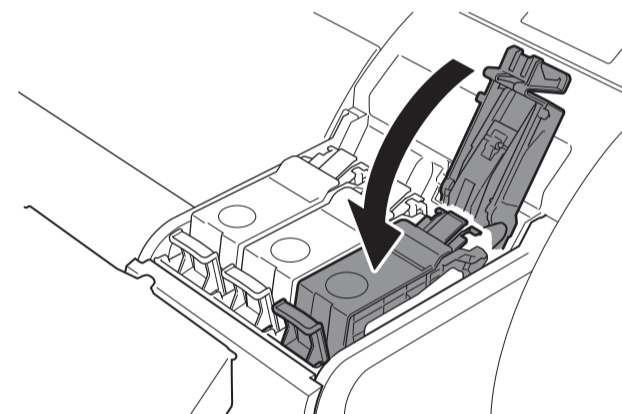
**5** After checking that the color of the ink tank is the same as the color shown on the label of the printer, insert the ink tank into the holder as shown in the figure.



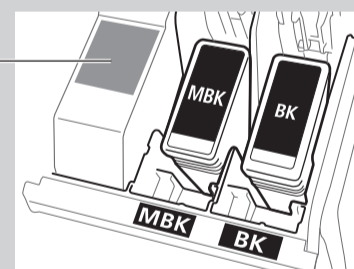
**Important**

• The BK and MBK ink tanks are easily mistaken, so be extra careful with these colors.

**6** Close the ink tank lock lever until it clicks.

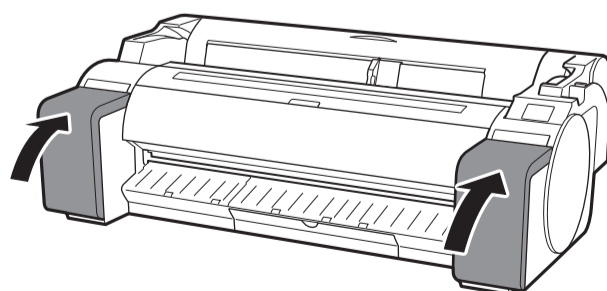


Be sure to look at the labels, and check that the ink tanks are properly installed.



**7** Repeat steps 2 to 6 to install each of the ink tanks.

**8** Close the ink tank covers.



**9** Check that the color of the ink tank that was set is displayed on the touch screen, and select **OK**.

The following genuine Canon ink tanks have been installed.

BK  
C  
M  
Y

OK

**Important**

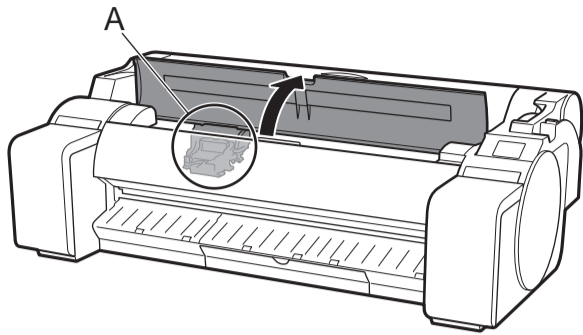
• If the touch screen does not show the color, repeat steps 2 and 6.



# Installing the Print Head

1

When the instruction to open the top cover appears on the touch screen, open the top cover.



Instructions are now shown on the touch screen regarding print head installation.

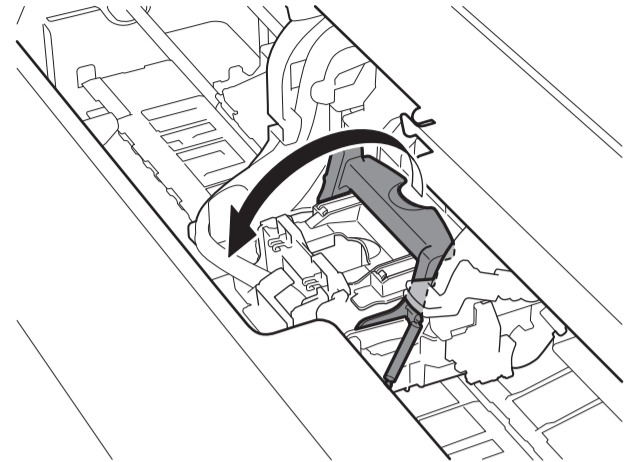


Important

- When installing the print head, do not move the carriage (A) from the position in the figure. If you accidentally move the position of the carriage (A), close the top cover. The carriage (A) will move to the position in the figure.

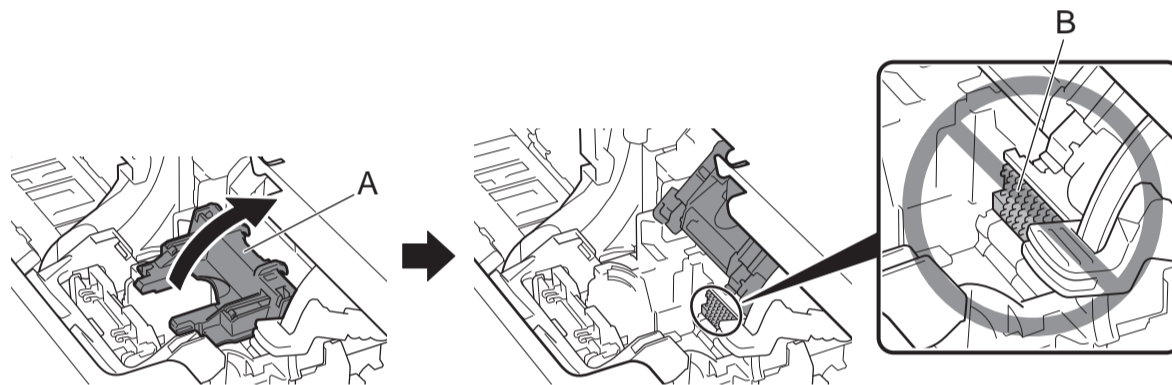
2

Tilt the print head lock lever towards you.



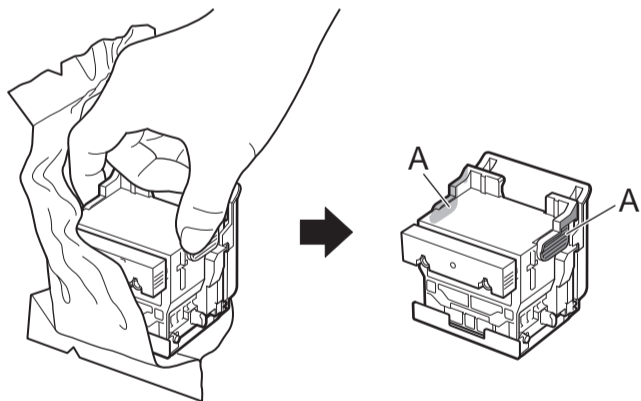
3

Open the print head locking cover (A) and select **OK** on the touch screen. At this time, check that there is no dirt on the electrical contacts (B) of the carriage.



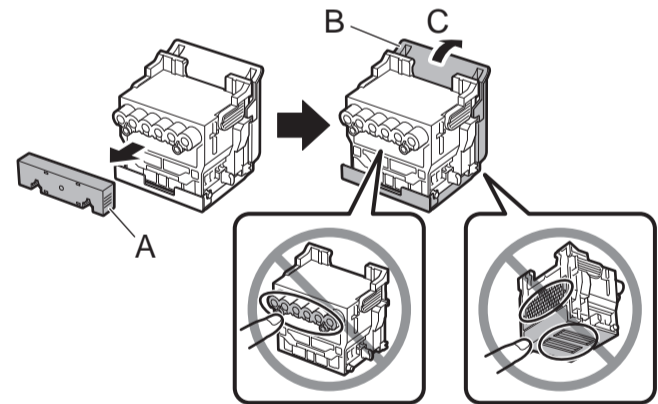
4

Remove the print head from the bag by holding the tab parts (A).



5

Remove the orange protective cap (A), and then remove the other orange protective cap (B) by holding the tab part (C).



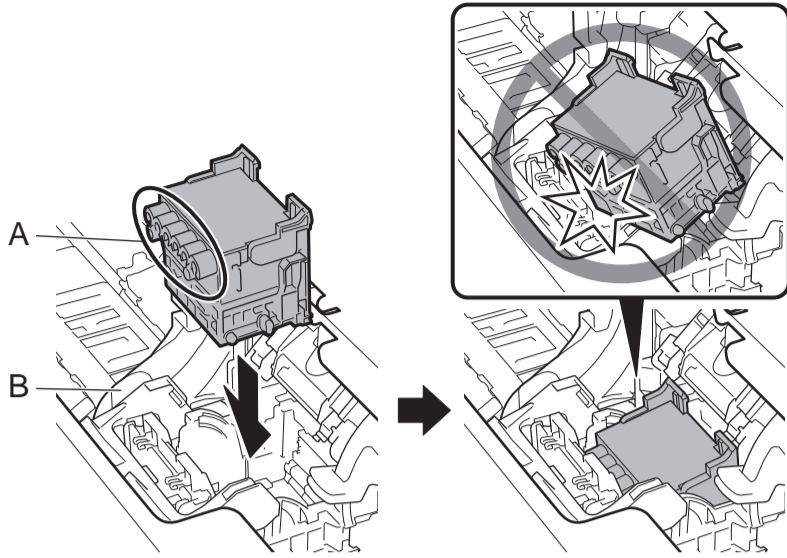
Important

- Do not touch the part that was being protected by the protective cap under any circumstances. Touching it may cause damage to the print head or printing problems.
- The print head is filled with ink. It is recommended that you remove the protective materials over the bag that the print head came in or something like that to prevent spills from soiling your clothing or the surroundings.
- Do not reattach the protective caps after removing them. Dispose of them according to local regulations.



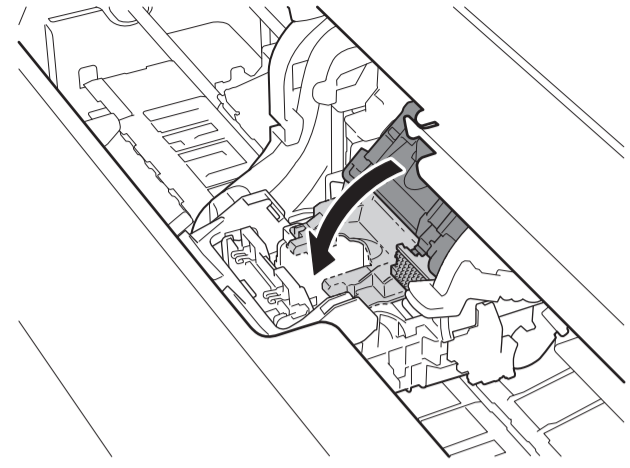
6

Insert the print head into the carriage (B) with the ink holes (A) on the upper side and facing towards you as shown in the figure. Carefully push the print head firmly into the carriage (B), ensuring that the part covered by the protective caps does not touch the carriage.



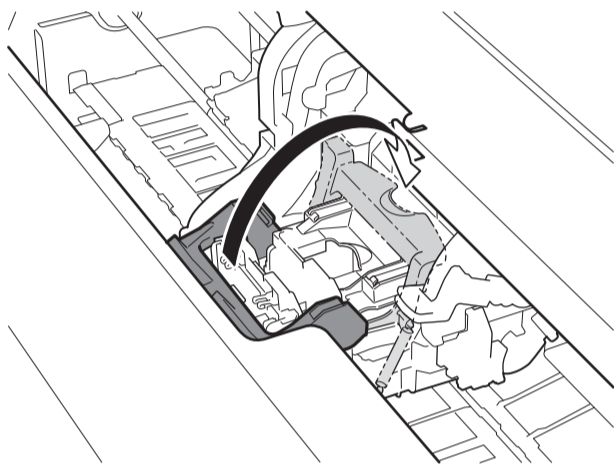
7

Pull the print head locking cover down toward the front to lock the print head in place.



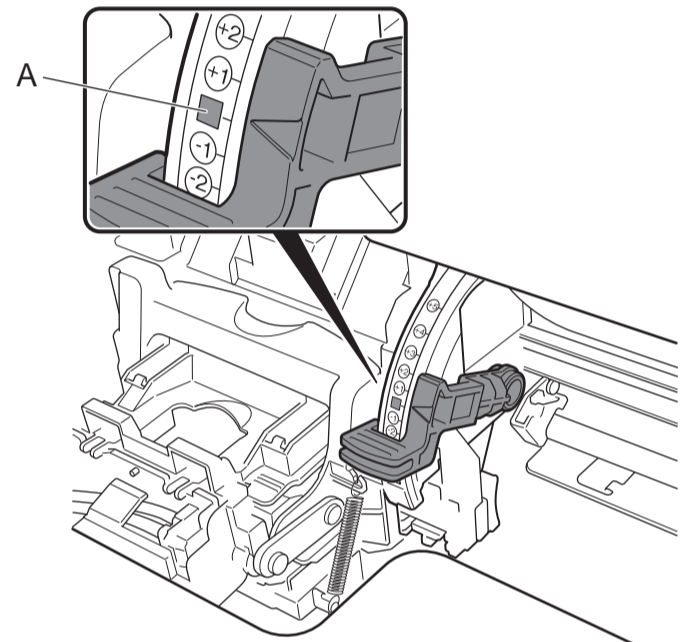
8

Push the print head lock lever all the way to the end.



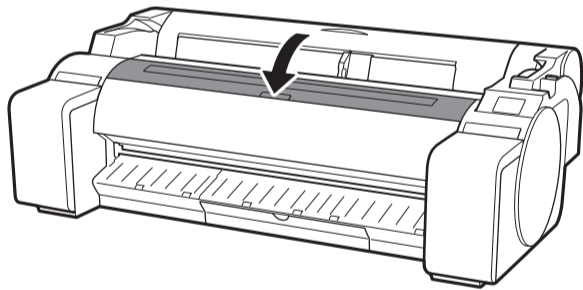
9

Check that the angle adjustment lever is aligned with the position of the red ■ (A). If it is not aligned, align the angle adjustment lever with the red ■ (A).



10

Close the top cover.



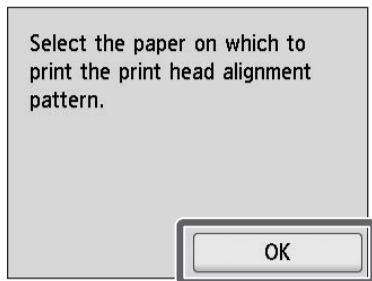




# Loading Paper

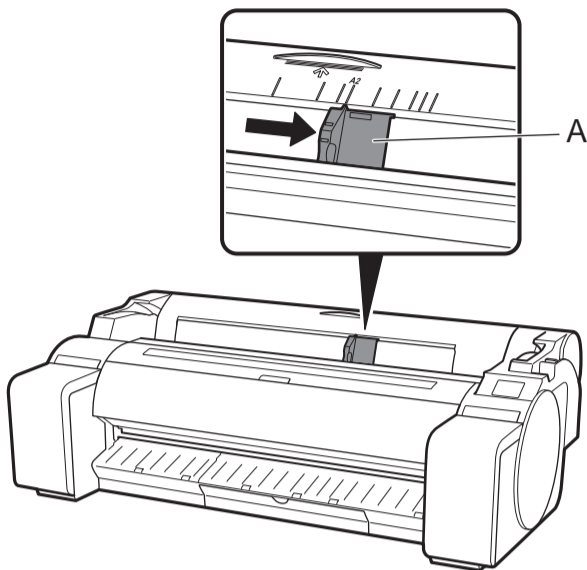
Load the paper for adjustment.

**1** When **Select the paper on which to print the print head alignment pattern** appears on the touch screen, select **Manual**.



The touch screen shows instructions on how to load cut sheets.

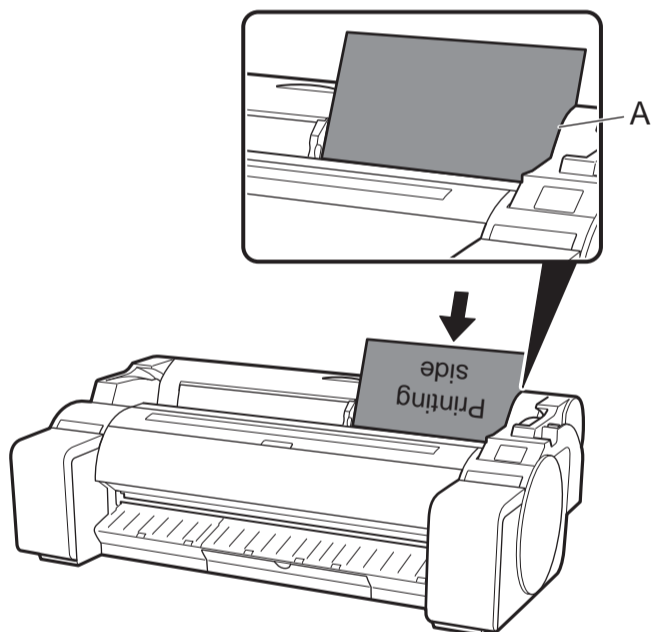
**2** Slide the width guide (A) to align it with a marker indicating the size of the loaded paper. In this example, align the guide to **A2**, which is the size of the provided paper for adjustment.



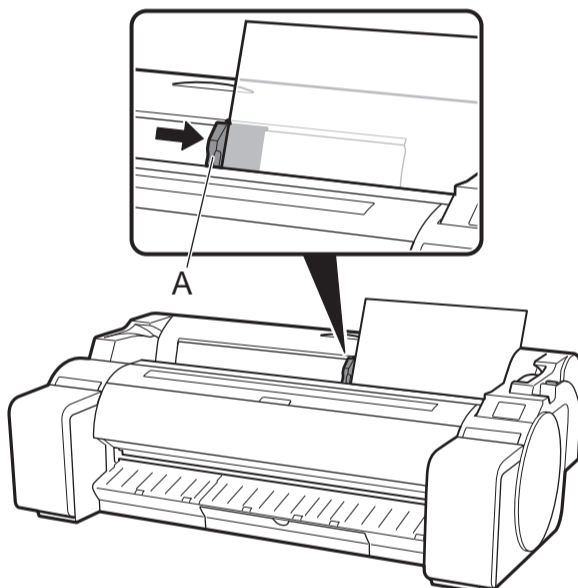
**3** Prepare 1 sheet of paper for adjustment. Identify the printed side by referring to the bag in which the paper came.

**Important** • Return unused paper to the bag in which it came and store it away from high temperature, high humidity, and direct sunlight.

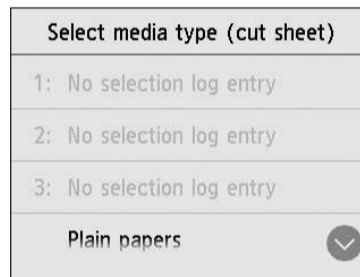
**4** Insert the paper straight into the feed slot, with the printed side facing up, so that the right edge of the paper is aligned with the paper alignment guide (A) on the right side of the roll paper cover. Insert the paper until the edge makes contact and you hear 2 short beep sounds.



**5** Adjust the position of the width guide (A) according to the size of the loaded paper. Align the width guide exactly with the paper to avoid the loaded paper from tilting or crinkling.



**6** The screen for selecting the paper type appears. Select the type of paper you loaded. In this example, select **Coated papers** and then **Coated papers**.



The paper starts feeding.

**Important** • This printer allows only 1 sheet to be loaded. Do not load 2 or more sheets. Doing so may cause a paper jam.  
• If the paper is wavy or warped, it may cause a paper jam. Flatten out the paper before loading it.

7

When the paper feed is finished, the printer automatically starts charging the ink for the first time and adjusting the print head. This takes about 25 minutes.

During this time, install the software on the computer. (Refer to "Connecting to the Printer" on p.12)

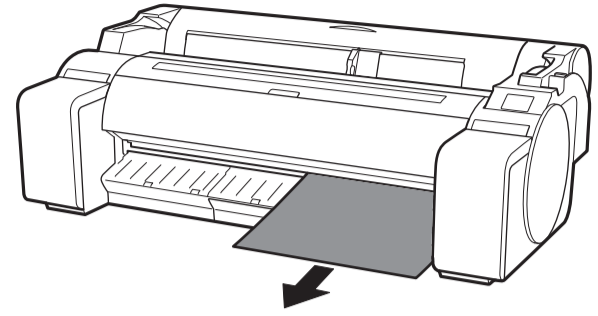


**Note**

- Charging the system with ink fills the system from the ink tanks to the print head. In addition, cleaning is performed to keep the printer in optimal condition. This may cause the remaining ink indicator and maintenance cartridge capacity indicator to drop some amount. Starter ink tanks are for first-time installation. It is recommended that you purchase replacement ink tanks quickly.

8

When the print head adjustment is complete, the paper with the adjustment pattern printed on it is ejected. Instructions on how to remove paper will be displayed on the touch screen. Perform the rest of the procedure by following the instructions.

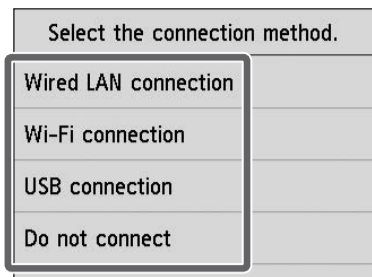


**Important**

- Do not operate the release lever until the instruction on removing paper is displayed on the touch screen. If you operate the release lever while printing is in progress, the printing will stop in the middle.

# Perform Print Head Adjustment and Select the Connection Method

When the screen for selecting the connection method appears, select the connection method to use.

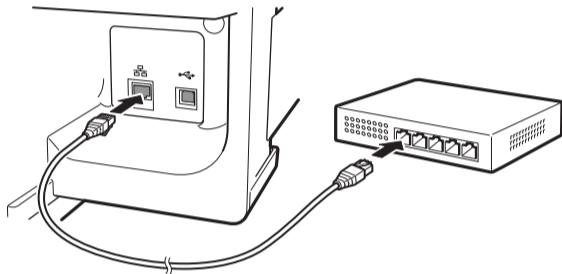


**Note** • If you are connecting the printer to the network using a fixed IP address, select **Do not connect**. Configure the settings from the touch screen of the printer after the printer has finished charging the ink for the first time and adjusting the print head.

## Wired LAN connection

This is the method for connecting the printer to the network using a LAN cable.

- 1** Select **Wired LAN connection**. Check the message about the connection method and select **Yes** if there are no problems.
- 2** A message prompting you to connect the LAN cable appears.
- 3** Use the LAN cable to connect the wired LAN connector on the side of the printer to the hub port.



- 4** Select **OK**.

## Wi-Fi connection

This is the method for connecting the printer to the network without using a cable.

- 1** Select **Wi-Fi connection**. Check the message about the connection method and select **Yes** if there are no problems.
- 2** A message prompting you to set up Wi-Fi connection appears.
- 3** **If you are configuring from a computer**  
-> Select **Yes**.  
**If you are configuring from the printer**  
-> Select **No**.

## USB connection

This is the method for connecting the printer to a computer using a USB cable.

- Do not connect the USB cable yet.
- 1** Select **USB connection**. Check the message about the connection method and select **Yes** if there are no problems.

The paper starts feeding, and then the printer automatically starts charging the ink for the first time and adjusting the print head. Charging the ink for the first time and adjusting the print head for the first time takes about 25 minutes.



**Important** • Do not open the covers of the printer or turn the power off while the ink is charging for the first time and the print head is being adjusted.



**Note** • If you selected **Do not connect**, the connection settings and software installation will need to be performed separately.  
Proceed to "Connecting to the Printer" on p.12.

• Charging the system with ink fills the system from the ink tanks to the print head. In addition, cleaning is performed to keep the printer in optimal condition. This may cause the remaining ink indicator and maintenance cartridge capacity indicator to drop some amount. Starter ink tanks are for first-time installation. It is recommended that you purchase replacement ink tanks quickly.

## Wired LAN connection

You can configure the printer and computer connection settings and install the software while the ink is charging for the first time and the print head is adjusting.

Proceed to "Connecting to the Printer" on p.12.

## Wi-Fi connection

**If you are configuring from a computer**  
->You can configure the printer and computer connection settings and install the software while the ink is charging for the first time and the print head is adjusting.

Proceed to "Connecting to the Printer" on p.12.

**If you are configuring from the printer**  
->Configure the Wi-Fi settings from the printer after the printer has finished charging the ink for the first time and adjusting the print head.

Proceed to "Configure Wi-Fi Settings on the Printer" on p.13.

## USB connection

You can configure the printer and computer connection settings and install the software while the ink is charging for the first time and the print head is adjusting.

Proceed to "Connecting to the Printer" on p.12.



## Connecting to the Printer

The printer connection settings and software installation are performed using a computer. You can download the setup file from our website. If you are using a Windows PC, you can also run the file from the CD-ROM.

However, if you selected **No** in step 3 for Wi-Fi connection on p.11, configure the Wi-Fi settings only using the printer. Proceed to "Configure Wi-Fi Settings on the Printer" on p.13.

### Downloading and running from the website (Windows/Mac)

- 1 Enter the following URL in the web browser of your computer to access the website.

<http://ij.start.canon>



- 2 Click **Set Up**. Perform the remaining operations by following the instructions on the screen.



- 3 Click **Download** to download the setup file and then run the file.

If a warning screen about downloading appears, select **Do not block, Allow**, etc. and then proceed to the next step.

Click Download on the computer to which you want to connect the printer.



### Booting up from the CD-ROM (Windows)

#### If you are using Windows 10 or Windows 8.1

- 1 Insert the setup CD-ROM into the computer.



- 2 Click the popup message for the disk drive and click **Run Msetup4.exe** on the screen that is displayed.

#### If the message did not appear (or has disappeared)

- 1 Click or **File Explorer** on the taskbar.
- 2 Click **This PC** on the left side of the window that opens.
- 3 Double-click the CD-ROM icon on the right side of the window.
- 4 If the contents of the CD-ROM appear, double-click **Msetup4.exe**.

- 3 If the **User Account Control** dialog box appears, click **Yes** and proceed to the next step.

#### If you are using Windows 7

- 1 Insert the setup CD-ROM into the computer.



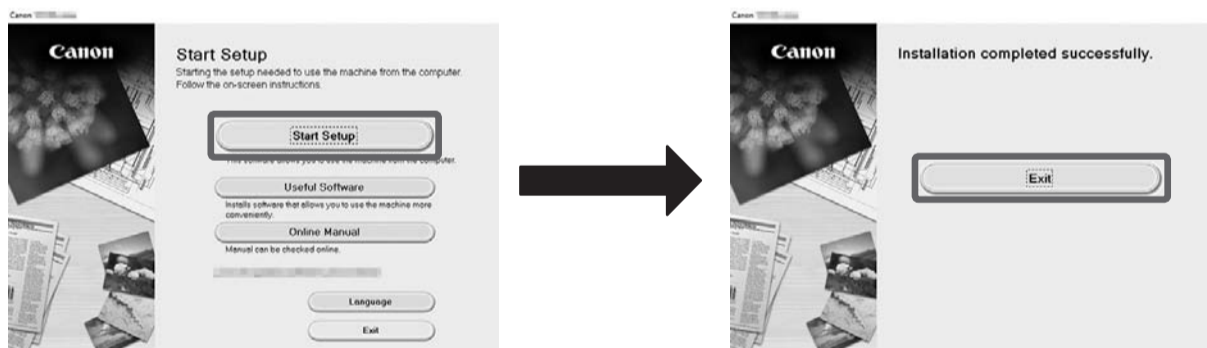
- 2 When the **AutoPlay** screen appears, click **Run Msetup4.exe**.

#### If the AutoPlay screen does not appear

- 1 Click **Computer** from the start menu.
- 2 Double-click the CD-ROM icon in the right side of the window that opens.
- 3 If the contents of the CD-ROM appear, double-click **Msetup4.exe**.

- 3 If the **User Account Control** dialog box appears, click **Continue** and proceed to the next step.

- 4 Click **Start Setup**. Configure the settings by following the instructions on the screen.



This completes the setup.



- A screen for selecting the printer connection method may be displayed in the middle of configuring the settings. If this happens, select the method you selected on p.11 and then click **Next** and continue with the rest of the settings.
- Connect the USB cable to the proper location.

## Configure Wi-Fi Settings on the Printer

If you selected **No** in step 3 for Wi-Fi connection on p.11, configure the Wi-Fi settings using the touch screen of the printer.

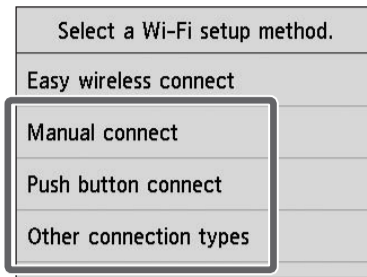
- 1** Once the print head adjustment has finished, check that the following screen appears and select **OK**.



**Note**

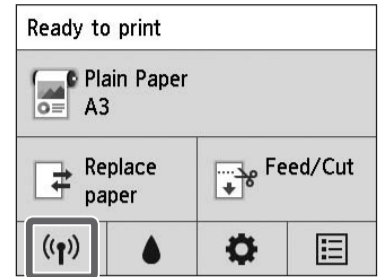
- If the following message appears, the printer initial settings are not finished. Wait until the above screen appears.  
**Checking the nozzle.**  
**Preparing the ink system.**  
**Cleaning...**

- 2** Select the connection method.



Configure the Wi-Fi settings by following the instructions on the screen.

- 3** When the home screen appears and ((P)) (Network) appears, the Wi-Fi settings are complete.



**Note**

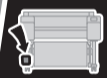
- Before using the printer, the software needs to be installed on the computer that is connected to the printer.

Proceed to "Connecting to the Printer" on p.12.



## Printing From a Smartphone or Tablet

With the "Canon PRINT Inkjet/SELPHY" application software, you can easily, wirelessly print photos stored on your smartphone or tablet (running iOS or Android). You can download this application by accessing the QR code to the right.



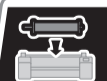
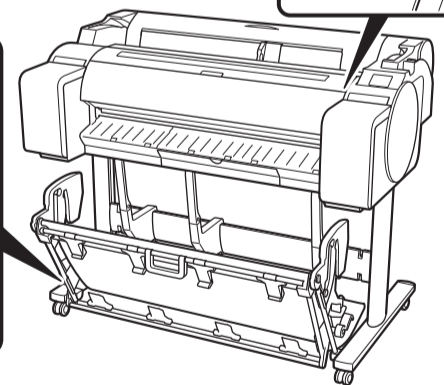
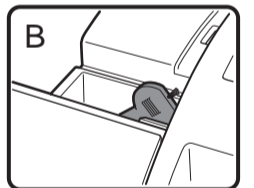
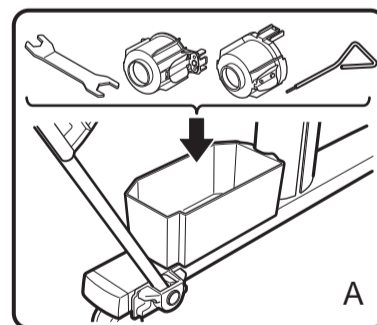
## Storing Accessories

### A: Accessory pocket

- Can be used to store accessories such as the 3-inch paper core attachment.
- The accessory pocket is included with the stand. Refer to "Attach the Accessory Pocket" in the Printer Stand Setup Guide (separate manual) for details on how to attach.

### B: Cleaning brush

- When you open the top cover, a cleaning brush is stored on the right side. Use it when cleaning inside the top cover.



## Loading Roll Paper After Setup

To load roll paper after setup, on the home screen, select **Load paper** and then **Load roll paper**, and follow the instructions on the screen.

For details, refer to the Online Manual. => "Displaying the Online Manual" on p.14





## Displaying the Online Manual

The Online Manual describes how to use the printer. It can be accessed from the Canon website as shown below.

1

Access the Canon website by any of the following methods.

- Enter the URL

<http://ij.start.canon>



- Scan the QR code



\* An app is needed in order to scan the QR code.

2

Select **Read Online Manual**.

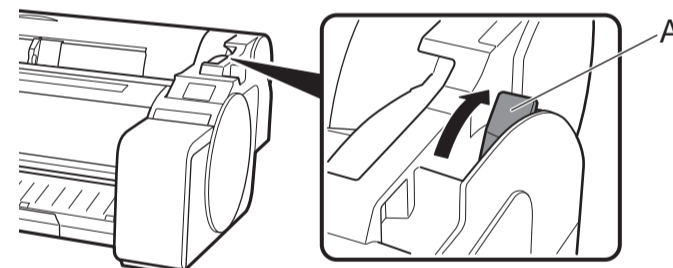
Perform the remaining operations by following the instructions on the screen to display the Online Manual.



## Responding to Messages

Error messages may appear on the touch screen of the operation panel when setting up printer. If so, it may not indicate a problem with the printer, and the issue may be easily resolved. Common messages and the causes are listed here with corrective actions. For details on other messages, refer to the Online Manual.

Message	Cause	Corrective Action
Check if ink tank is set, and its color and direction.	There is no ink tank loaded.	Install or reinstall the ink tank. (Refer to steps 1 to 8 on p.6)
	The ink tank is not firmly installed all the way in.	
Print head cannot be recognized correctly. Open the top cover and install the correct print head.	The print head is not installed.	Install the print head. (Refer to steps 1 to 10 on p.7 and p.8)
	Electrical contact failure in the print head.	Remove the print head, make sure that no debris becomes adhered to the contacts on the print head and the carriage, and then reinstall the print head.
The paper has been loaded at an angle. Push the release lever away from you and reload the paper.	The paper may not be loaded properly (in a straight direction). (The width guide may not match the paper. Refer to step 5 on p.9.)	Reload the paper. (Refer to steps 2 to 6 on p.9) Operate the following release lever (A).
Cannot detect the paper size. Move the release lever and reload the paper.	The paper may not be loaded in a proper location. (The right end of the paper may not be aligned with the paper alignment line. Refer to step 4 on p.9.)	
Hardware error ECxx-xxxx (x represents a letter or number) Printer error has occurred. Turn the device off, wait a while, and then turn it on again.	You may have encountered an error that cannot be resolved.	Turn off the printer and wait at least 3 seconds before restoring the power. If the message appears again, write down the error code and message, turn off the printer, and contact your Canon dealer for assistance.
Error Ecxxx-xxxx (x represents a letter or number) Printer error has occurred. See the manual and contact the service center.	You may have encountered an error that cannot be resolved.	Write down the error code and message, turn off the printer, and contact your Canon dealer for assistance.



**Important** • Les instructions figurant dans ce Guide d'installation sont illustrées par l'imprimante TM-305. Veuillez noter que, dans certains cas, votre imprimante peut sembler différente de celle des illustrations. Toutefois, les opérations de base sont identiques.

## Avant de configurer l'imprimante

Veillez à lire les précautions afin d'utiliser ce produit en toute sécurité.

-> [Guide rapide \(manuel distinct\)](#)

## Espace requis pour l'installation

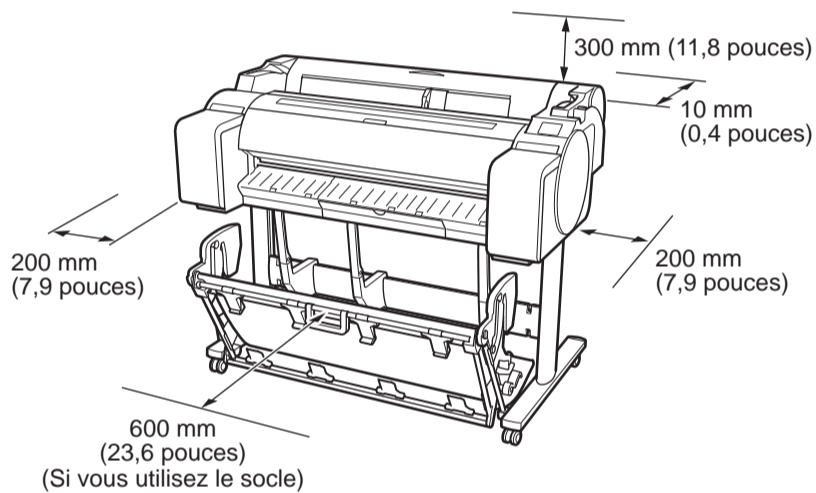
Il est recommandé de réserver un espace des dimensions suivantes pour vous permettre de travailler autour de l'imprimante. Les images ci-dessous illustrent l'espace requis pour installer chaque imprimante.

**Important** • Il est possible que le socle d'imprimante ne soit pas inclus avec votre modèle.  
• L'espace requis devant l'imprimante diffère en fonction de la manière dont le panier fourni avec le socle de l'imprimante est utilisé. Ceci illustre l'espace requis pour l'installation en cas d'utilisation dans la position de l'illustration.

### TM-305/TM-300

Espace requis pour l'installation (L x P x H)

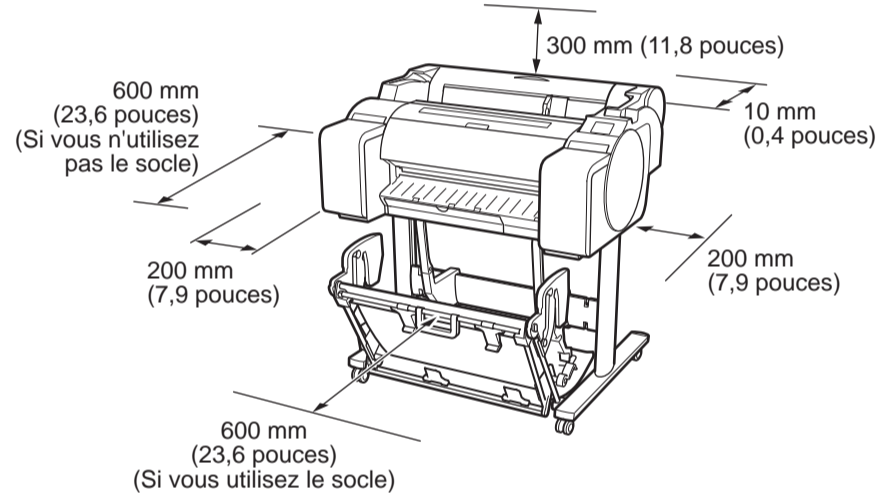
- Si vous utilisez le modèle SD-32  
1 689 x 1 700 x 1 360 mm (66,5 x 67,0 x 53,6 pouces)



### TM-205/TM-200

Espace requis pour l'installation (L x P x H)

- Si vous n'utilisez pas le socle  
1 382 x 1 358 x 739 mm (54,5 x 53,5 x 29,1 pouces)
- Si vous utilisez le modèle SD-23  
1 382 x 1 700 x 1 360 mm (54,5 x 67,0 x 53,6 pouces)



## Procédure de mise en place

Mise en place de l'imprimante à l'aide de la procédure suivante.

- \* Assemblage du socle (P. 3) \*Consultez le manuel distinct
- Installation de l'imprimante (P. 3)
- Mise sous tension de l'imprimante (P. 5)
- Installation des cartouches d'encre (P. 6)
- Installation de la tête d'impression (P. 7)
- Chargement du papier (P. 9)
- Ajustement de la tête d'impression et sélection du mode de connexion (de la p. 11 à la p. 13)
  - Connexion à l'imprimante
- Vérifiez également ceci une fois la configuration terminée.
- Impression à partir d'un smartphone ou d'une tablette (P. 13)
- Rangement des accessoires (P. 13)
- Rechargement d'un rouleau de papier après la configuration (P. 13)
- Méthode d'affichage des manuels électroniques (P. 14)

Si un message d'erreur s'affiche pendant la configuration ou en cas d'autres problèmes, reportez-vous à "Réponse aux messages", p. 14.

• Windows est une marque commerciale ou une marque déposée de Microsoft Corporation aux Etats-Unis et/ou dans d'autres pays.

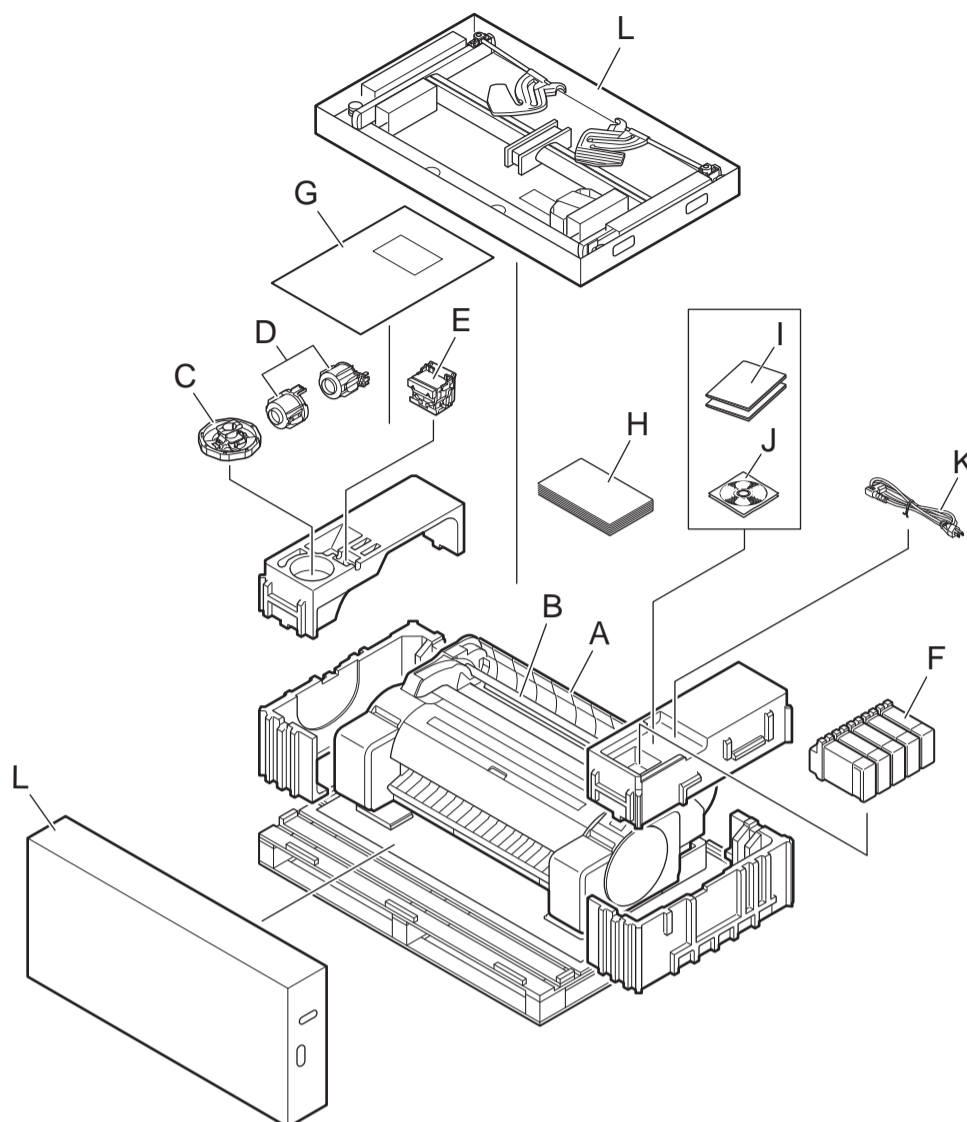
## Contenu du colis

- A. Imprimante
- B. Support du rouleau : Déjà monté sur l'imprimante
- C. Butoir du rouleau (\*1)
- D. Fixation du tube à papier de 3 pouces (R, L)
- E. Tête d'impression
- F. Cartouches d'encre de démarrage (pour la première installation)  
(C, M, Y, MBK, BK)
- G. Papier pour l'ajustement
- H. Guide d'installation (ce manuel)
- I. Ensemble de documentation de l'imprimante
- J. Jeu de CD-ROM
- K. Cordon d'alimentation
- L. Ensemble du socle (\*2)

\*1 Le butoir du rouleau est utilisé lors du chargement du papier en rouleau. Pour plus de détails, reportez-vous au Manuel en ligne.

### \*2 Ensemble du socle

- Inclus uniquement en standard dans certaines régions.
- Il peut être emballé dans une boîte distincte selon la région où vous avez acheté l'imprimante.
- Les accessoires du socle sont décrits dans le Guide d'installation du socle de l'imprimante.



- Remarque**
- Certains éléments sont inclus avec l'imprimante mais ne sont pas décrits dans le présent manuel. Conservez ces éléments dans un lieu sûr après l'installation car ils sont utilisés dans diverses des applications d'impression.
  - Pour les instructions relatives aux éléments inclus non décrites dans le présent Manuel, reportez-vous au Manuel en ligne. ("Méthode d'affichage des manuels électroniques", p. 14)
  - Aucun câble pour connecter l'imprimante à un ordinateur n'est fourni avec l'imprimante.

## Manuels fournis avec cette imprimante

Emmanuel suivant sont inclus avec cette imprimante.

### Manuels imprimés

#### Guide d'installation (ce manuel)

Explique comment configurer l'imprimante.

#### Guide d'installation du socle de l'imprimante

Explique comment assembler le socle.  
Il peut ne pas être inclus selon la région et certaines options d'achat.

#### Guide rapide

Contient des informations relatives aux avertissements quant à l'utilisation en toute sécurité de ce produit et des informations relatives au remplacement du papier, aux cartouches d'encre et à la tête d'impression.

### Manuels électroniques

#### Manuel en ligne

Le Manuel en ligne décrit tous les aspects de l'utilisation de l'imprimante, des instructions de base pour l'impression sur rouleau ou feuille de découpe aux conseils pour économiser du papier et préserver la meilleure qualité d'impression. Il explique également comment imprimer des affiches et des bannières à partir d'ulogiciel fourni.

Pour afficher les manuels électroniques, reportez-vous à "Méthode d'affichage des manuels électroniques" (p. 14).



## Assemblage du socle

· Si vous utilisez le socle

-> Assemblez le socle sur lequel vous allez installer l'imprimante en vous reportant au Guide d'installation du socle de l'imprimante (manuel distinct).

· Si vous n'utilisez pas le socle

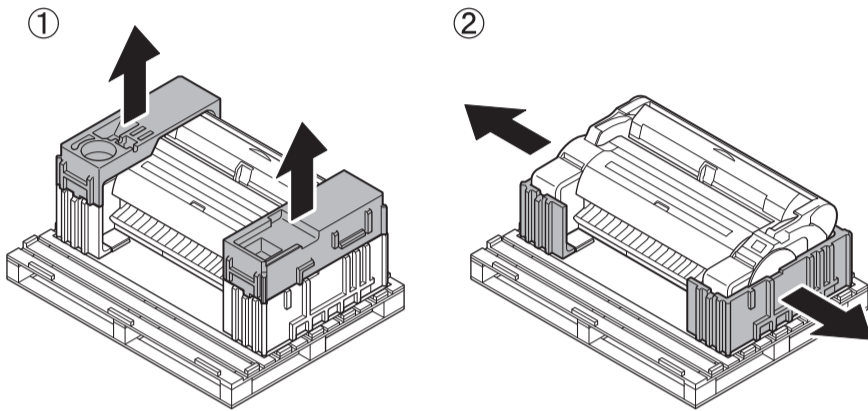
-> Passez à "Installation de l'imprimante".



## Installation de l'imprimante

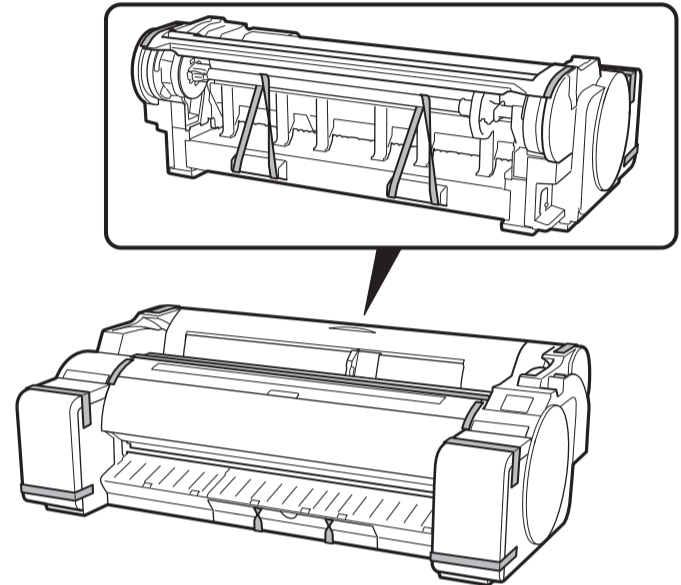
# 1

Retirez le matériau d'emballage.



# 2

Retirez la totalité de la bande et des autres matériaux d'emballage. Retirez la bande apposée sur le support du rouleau.



# 3

3 personnes doivent soulever l'imprimante. 1 personne doit tenir les poignées de transport en bas de, chaque côté, et 1 personne doit tenir les poignées au milieu de la partie arrière.

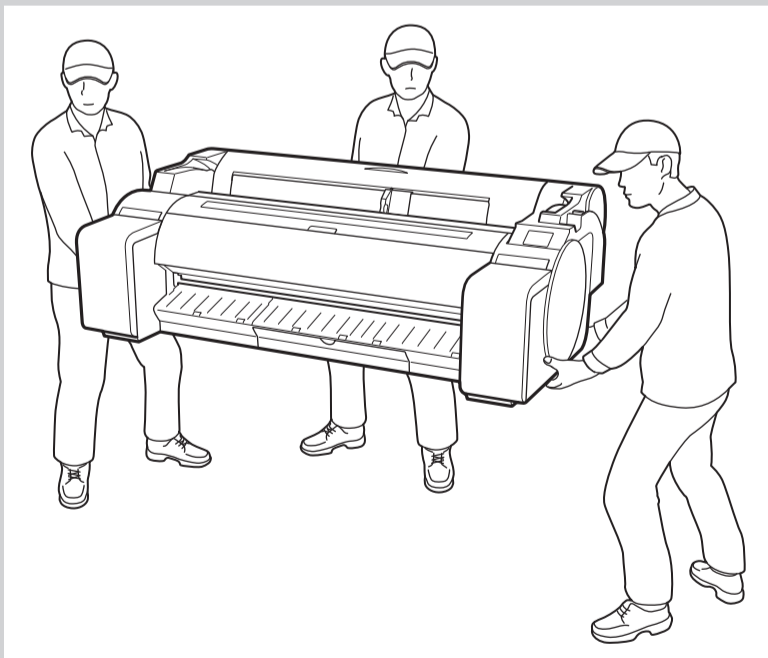


Attention

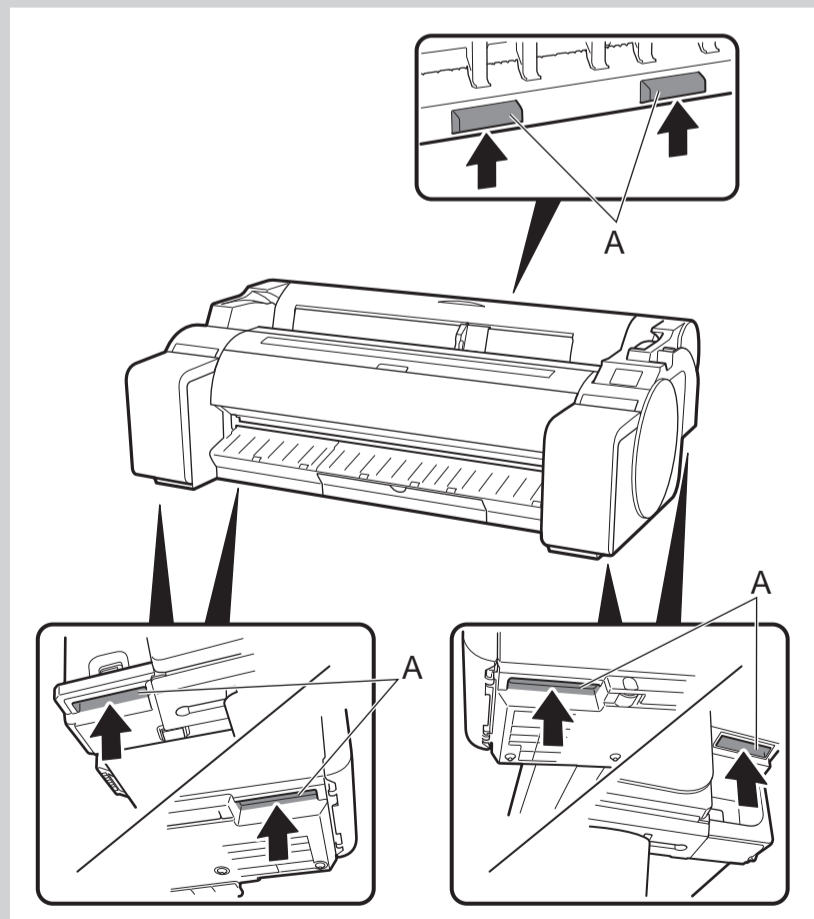
• Le déplacement de l'imprimante nécessite au moins 3 personnes qui la tiennent à gauche, à droite et à l'arrière. Veillez à éviter toute fatigue du dos et autre blessures en raison du poids de l'imprimante.

<Poids de l'imprimante (imprimante seule)>

- TM-305 : Environ 49 kg (108 lb)
- TM-300 : Environ 48 kg (106 lb)
- TM-205 : Environ 41 kg (91 lb)
- TM-200 : Environ 41 kg (91 lb)

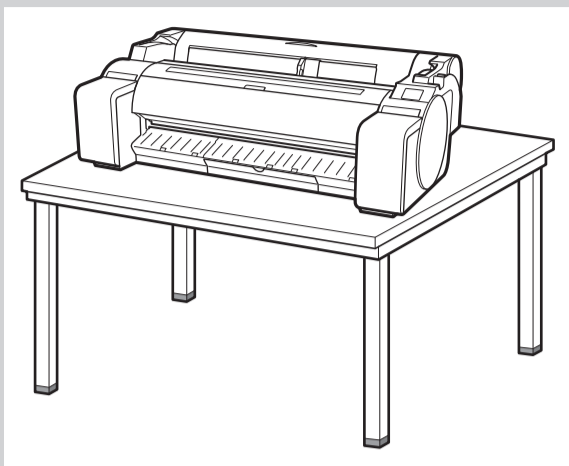


• Lorsque vous déplacez l'imprimante, saisissez fermement les poignées de transport (A) de chaque côté et à l'arrière. Le fait de tenir l'imprimante dans d'autres positions est dangereux et peut provoquer des blessures ou endommager l'imprimante si vous la laissez tomber.





**Attention** • Si vous posez provisoirement l'imprimante, veillez à bien la placer sur un endroit stable et plat.

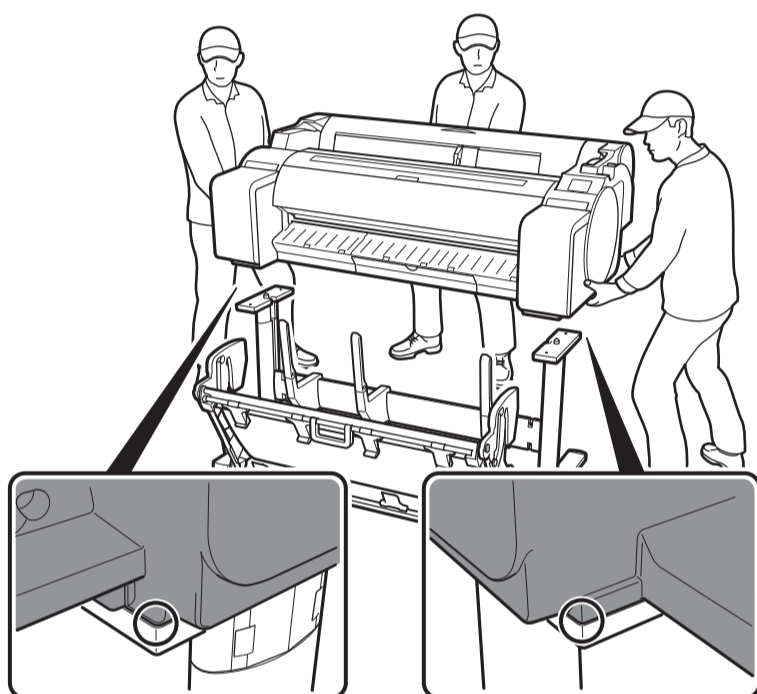


• Le fait de soutenir uniquement le centre de l'imprimante lorsque vous la transportez ou que vous la posez pourrait l'endommager.



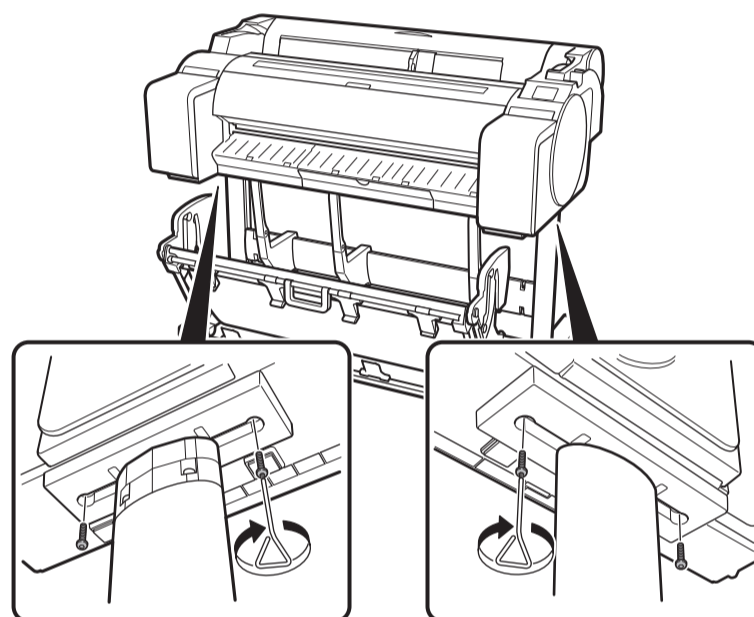
4

Placez l'imprimante sur le socle de telle manière que les coins arrière du bas de l'imprimante soient alignés sur les coins du socle.



5

Fixez l'imprimante sur le socle. Utilisez une clé Allen pour fixer fermement l'imprimante avec 2 vis hexagonales M4 de chaque côté, en dessous de la plaque de support.



**Important**

• Si vous n'utilisez pas de socle, posez l'imprimante sur le site d'installation et passez à "Mise sous tension de l'imprimante".

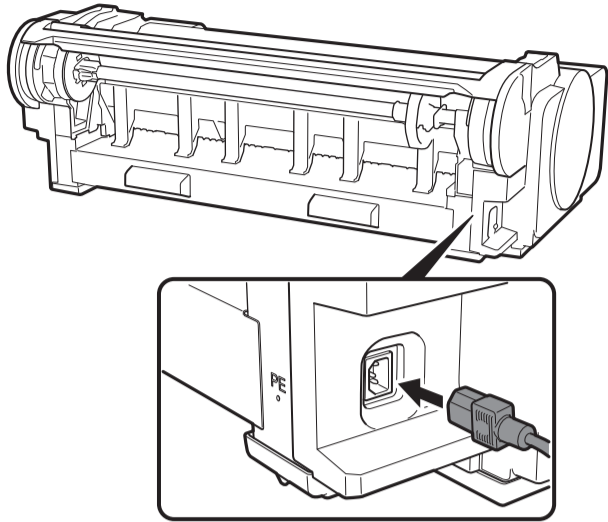




## Mise sous tension de l'imprimante

1

Branchez le cordon d'alimentation sur le connecteur d'alimentation, sur le côté de l'imprimante.

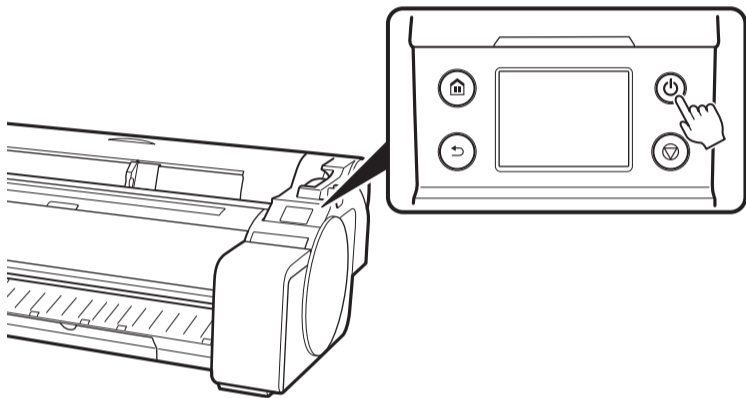


2

Branchez le cordon d'alimentation sur la prise murale.

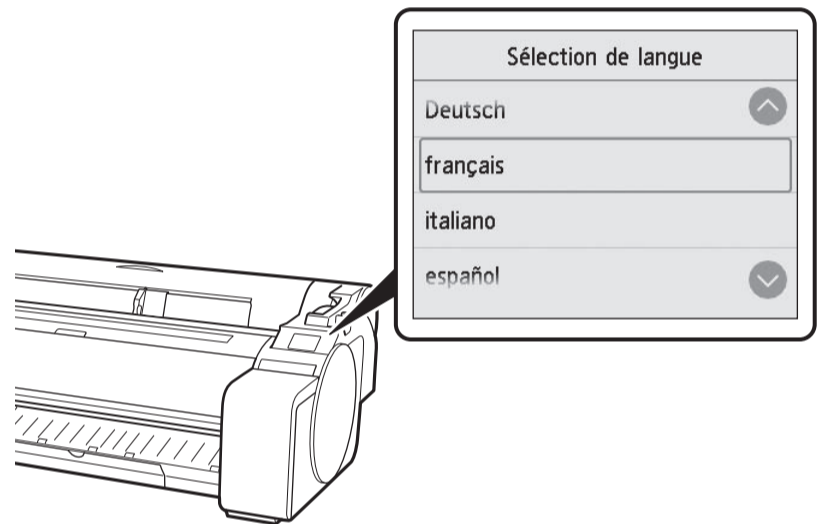
3

Mettez l'imprimante sous tension.



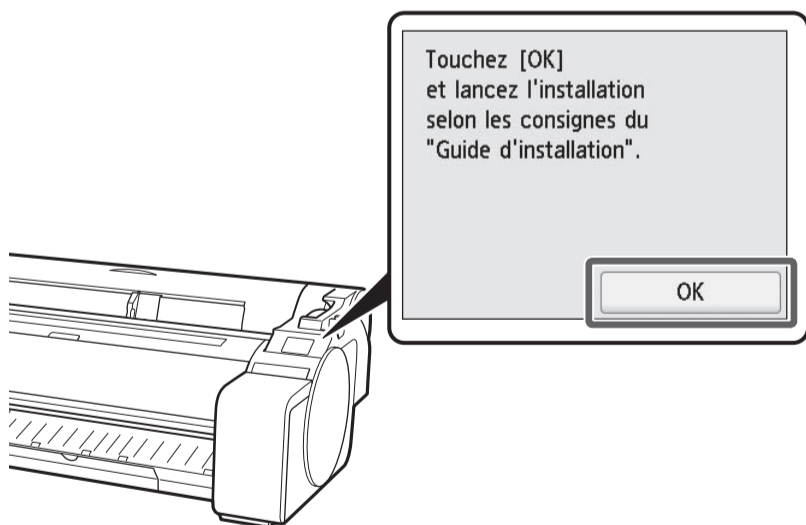
4

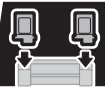
Lorsque l'écran de sélection de langue s'affiche sur l'écran tactile, sélectionnez une langue. Puis, si l'écran de sélection d'un fuseau horaire s'affiche, sélectionnez votre région.



5

Lorsqu'un message vous demandant de démarrer la configuration s'affiche sur l'écran tactile, sélectionnez **OK**.



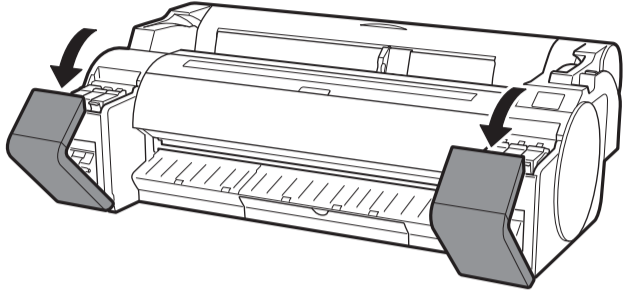


## Installation des cartouches d'encre

Installez les 5 cartouches d'encre en suivant les instructions à l'écran.

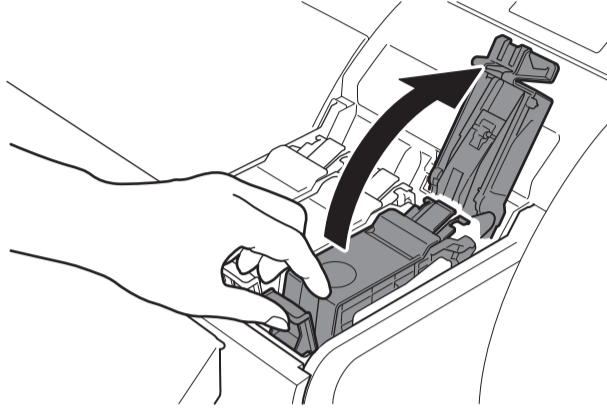
1

Les instructions d'installation des cartouches d'encre s'affichent sur l'écran tactile. Ouvrez les couvercles des cartouches d'encre, comme indiqué, en saisissant les poignées.



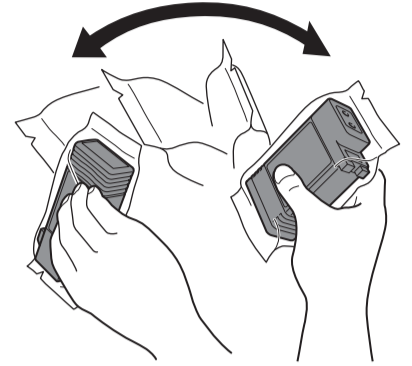
2

Tout en poussant l'extrémité du levier de verrouillage de cartouche d'encre horizontalement, ouvrez le levier de verrouillage de cartouche d'encre vers le haut.



3

Secouez doucement chacune des cartouches d'encre de 1 à 2 fois avant d'ouvrir sa pochette.



**Important**

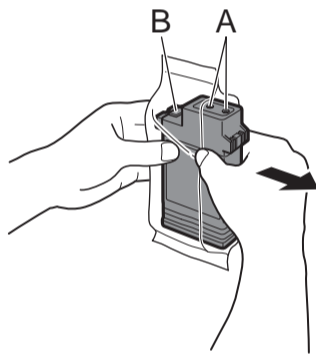
• Le fait de ne pas secouer les cartouches d'encre pourrait réduire la qualité d'impression car les ingrédients de l'encre seraient déposés en bas de la cartouche.

**Remarque**

• Si la cartouche d'encre est froide, laissez-lui le temps de s'adapter à la température ambiante avant de la monter dans l'imprimante.

4

Ouvrez la pochette et sortez-en la cartouche d'encre.

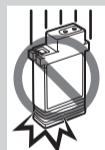
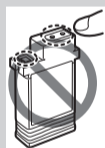


**Important**

• Ne touchez jamais les orifices à encre (A) ni les contacts métalliques (B). Le fait de toucher ces parties pourrait provoquer des tâches, endommager la cartouche d'encre et réduire la qualité d'impression.

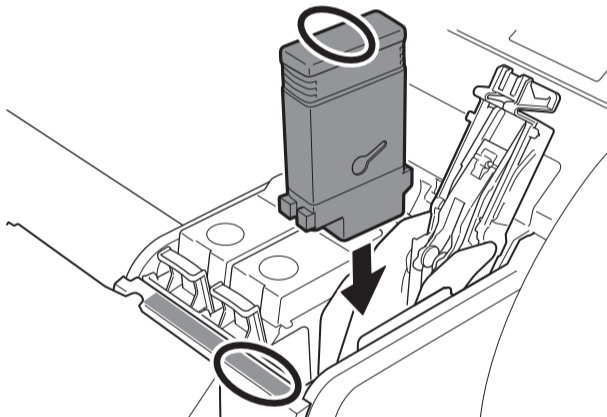
• Evitez de laisser tomber la cartouche d'encre après avoir retirée de la pochette. Sinon, l'encre pourrait fuir et provoquer des taches.

• N'ôtez pas les cartouches d'encre pour les secouer après les avoir montées. Vous risqueriez de provoquer des éclaboussures d'encre.



5

Après avoir vérifié que la couleur de la cartouche d'encre correspond à celle indiquée sur l'étiquette de l'imprimante, insérez la cartouche d'encre dans le support, comme indiqué sur la figure.

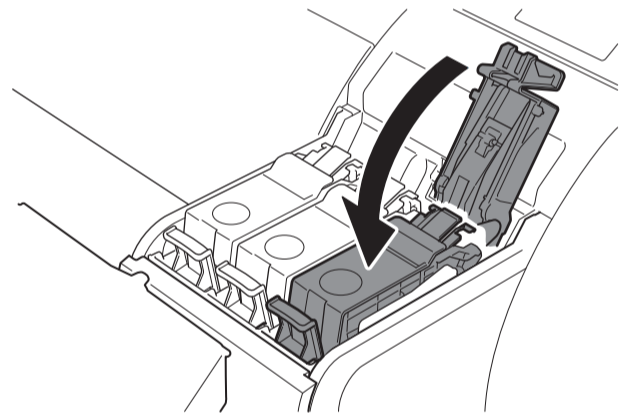


**Important**

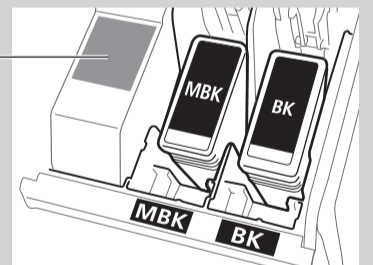
• Les cartouches d'encre BK et MBK se confondent facilement, soyez donc très prudent avec ces couleurs.

6

Fermez le levier de verrouillage de cartouche d'encre jusqu'à ce que vous entendiez un déclic.



Assurez-vous de regarder les étiquettes et de vérifier que les cartouches d'encre sont correctement installées.

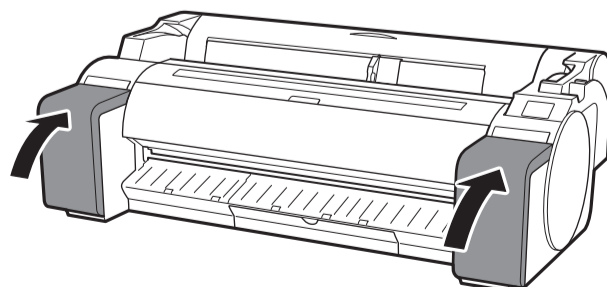


7

Répétez les étapes 2 à 6 pour installer chacune des cartouches d'encre.

8

Fermez les couvercles des cartouches d'encre.



9

Vérifiez que la couleur de la cartouche d'encre qui a été configurée s'affiche sur l'écran tactile, et sélectionnez **OK**.

Les cartouches d'encre Canon d'origine suivantes ont été installées.

BK  
C  
M  
Y

OK

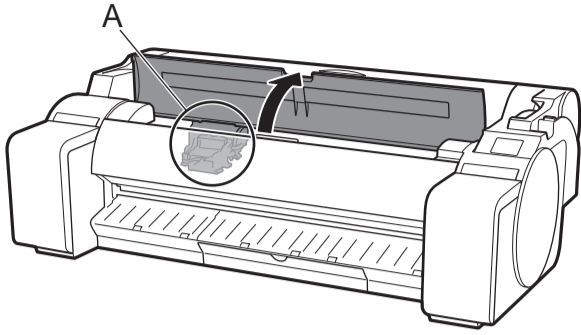
**Important**

• Si l'écran tactile n'affiche pas la couleur, répétez les étapes 2 et 6.



## Installation de la tête d'impression

- 1** Lorsque les instructions indiquant d'ouvrir le capot supérieur s'affichent sur l'écran tactile, ouvrez le capot supérieur.



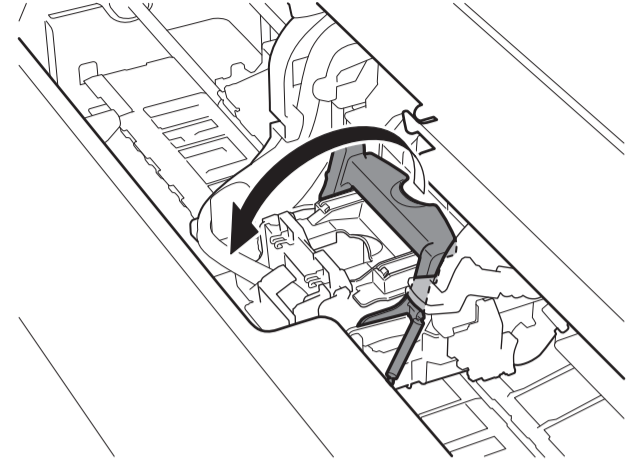
Les instructions concernant l'installation de la tête d'impression s'affichent alors sur l'écran tactile.



**Important**

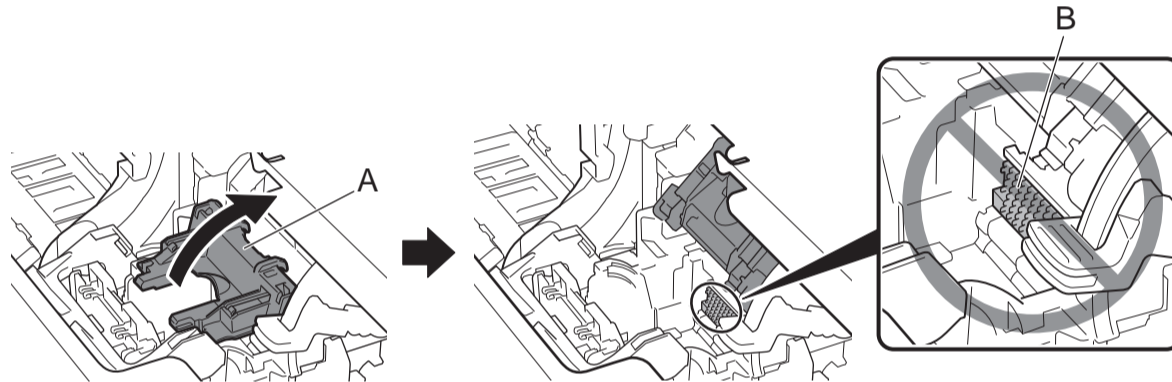
- Lors de l'installation de la tête d'impression, ne déplacez pas le chariot (A) à partir de la position illustrée sur la figure. Si vous vous déplacez accidentellement la position du chariot (A), fermez le capot supérieur. Le chariot (A) se déplacera jusqu'à la position illustrée sur la figure.

- 2** Inclinez le levier de verrouillage de tête d'impression vers vous.

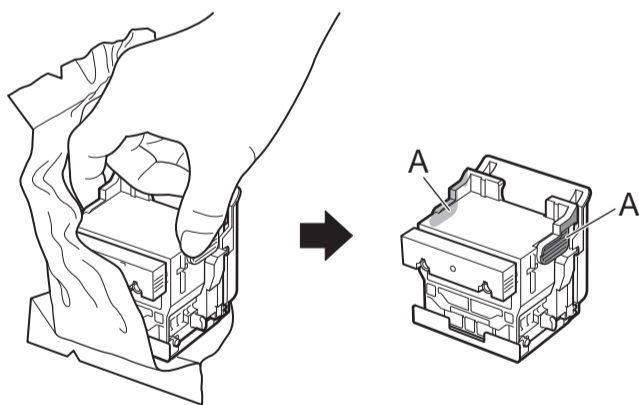


- 3** Ouvrez le couvercle de verrouillage de tête d'impression (A) et sélectionnez **OK** sur l'écran tactile.

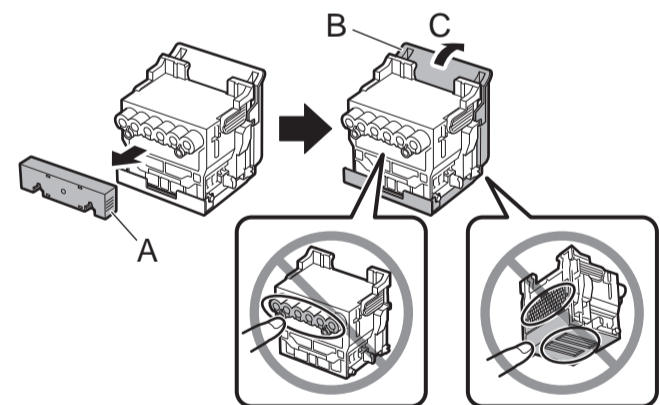
À ce stade, le vérifiez que les contacts électriques (B) du chariot ne comportent pas de saleté.



- 4** Sortez la tête d'impression du sac en la tenant par les languettes (A).



- 5** Enlevez la capsule de protection orange (A), puis enlevez l'autre capsule de protection orange (B) en tenant la languette (C).

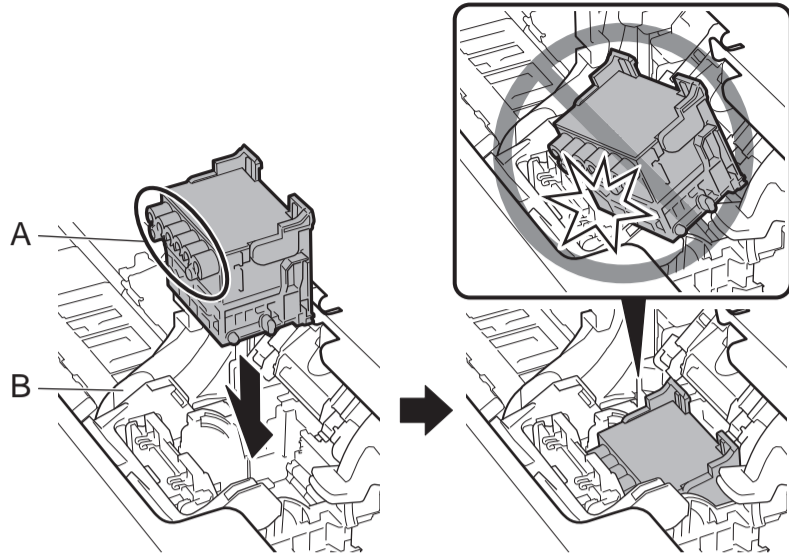


**Important**

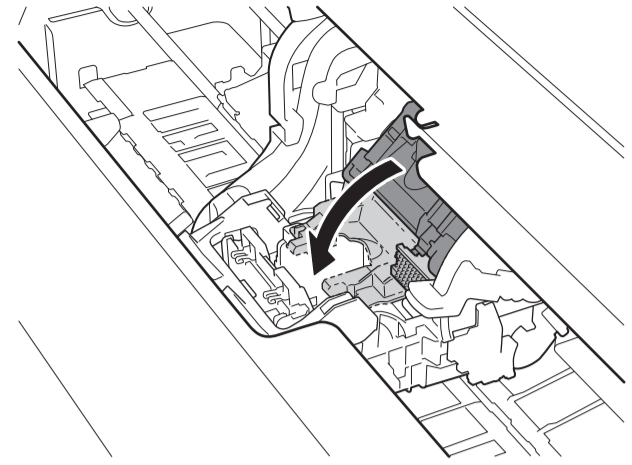
- Ne touchez en aucune circonstance la partie qui était protégée par la capsule de protection. Cela pourrait endommager la tête d'impression ou provoquer des problèmes d'impression.
- La tête d'impression est remplie d'encre. Nous vous recommandons d'enlever les matériaux protecteurs et de les poser sur le sac dans lequel la tête d'impression se trouvait ou sur quelque chose de semblable pour éviter que les éclaboussures ne tachent vos vêtements ou l'environnement.
- Ne remontez pas les capsules de protection après les avoir enlevées. Mettez-les au rebut conformément aux réglementations locales.

**6**

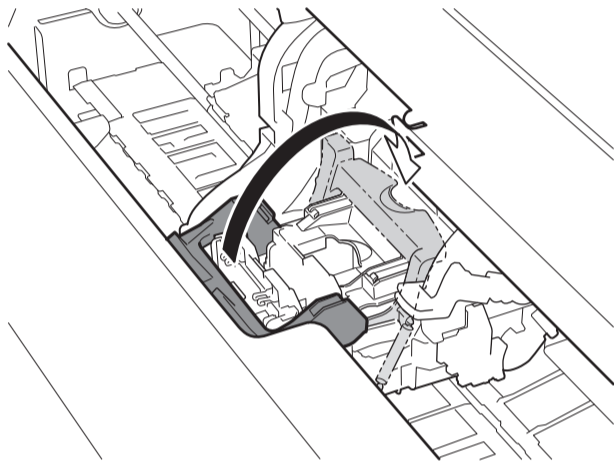
Insérez la tête d'impression dans le chariot (B) avec les orifices à encre (A) dirigés vers le haut et vers vous, comme illustré sur la figure. Poussez soigneusement et fermement la tête d'impression dans le chariot (B), en vous assurant que la partie recouverte par les capsules de protection ne touche pas le chariot.

**7**

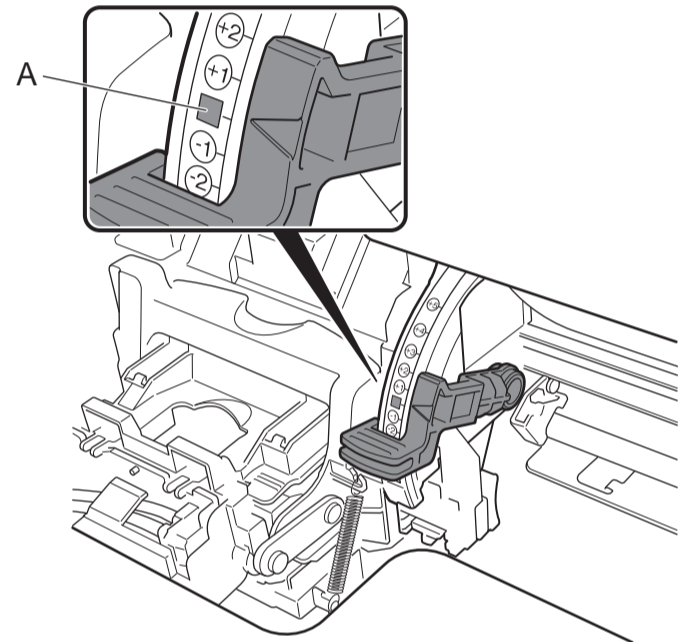
Tirez le couvercle de verrouillage de tête d'impression vers le bas et l'avant pour verrouiller la tête d'impression en position.

**8**

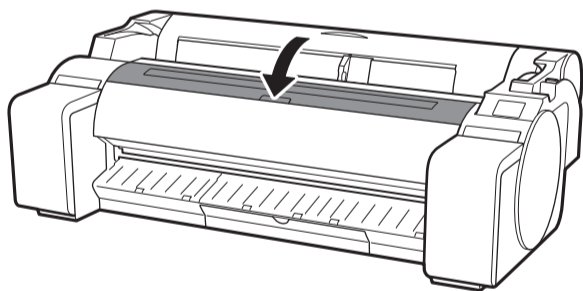
Poussez à fond le levier de verrouillage de tête d'impression.

**9**

Vérifiez que le levier ajustement angle est aligné sur la position du ■ rouge (A). S'il n'est pas aligné, alignez le levier ajustement angle sur le ■ rouge (A).

**10**

Fermez le capot supérieur.







## Chargement du papier

Chargez le papier pour l'ajustement.

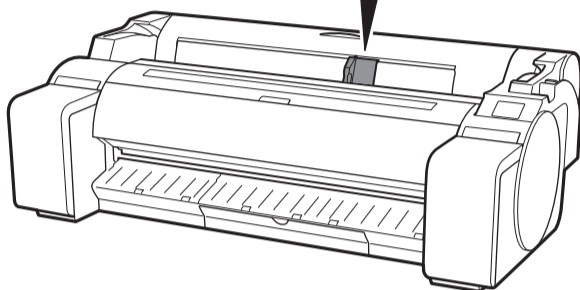
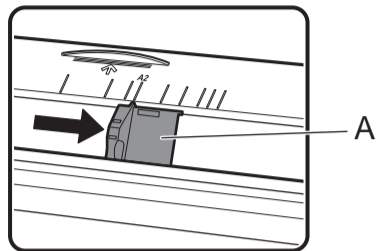
- 1** Lorsque **Sélectionnez le papier sur lequel imprimer le motif d'alignement de la tête d'impression.** s'affiche sur l'écran tactile, sélectionnez **Manuel**.

Sélectionnez le papier sur lequel imprimer le motif d'alignement de la tête d'impression.

OK

L'écran tactile affiche les instructions de chargement des feuilles de découpe.

- 2** Faites glisser le guide de largeur (A) pour l'aligner sur le repère indiquant le format du papier chargé. Dans cet exemple, alignez le guide sur **A2**, qui correspond au format du papier fourni pour l'ajustement.



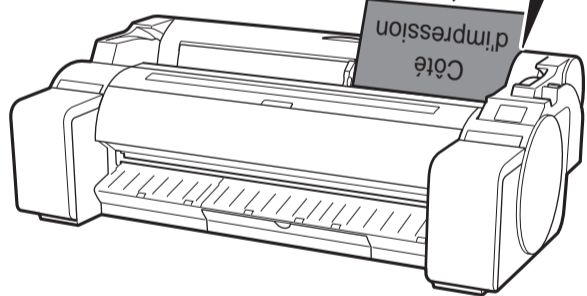
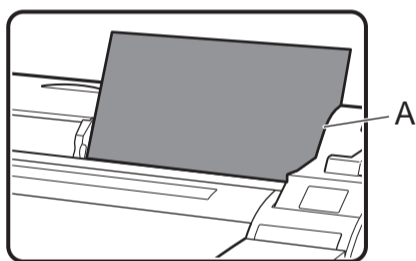
- 3** Préparez 1 feuille de papier pour l'ajustement. Identifiez le côté imprimé en vous reportant au sachet dans lequel le papier fourni.



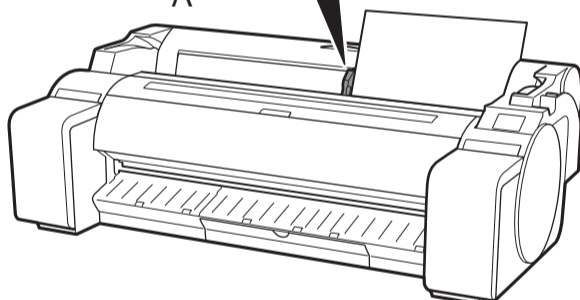
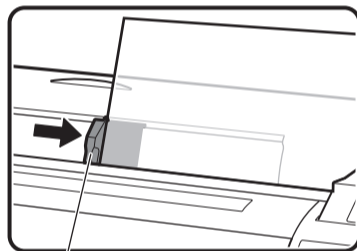
Important

- Remettez le papier inutilisé dans le sac dans lequel il est fourni et rangez-le à l'abri de toute température ou l'humidité élevée ou de la lumière directe du soleil.

- 4** Insérez le papier tout droit dans la fente d'alimentation, avec le côté imprimé dirigé vers le haut, de telle manière que le bord droit du papier soit aligné avec le guide d'alignement du papier (A) sur la droite du capot du rouleau de papier. Insérez le papier jusqu'à ce que le bord entre en contact et que vous entendiez 2 bips brefs.



- 5** Réglez la position du guide de largeur (A) conformément au format du papier chargé. Alignez le guide de largeur exactement sur le papier pour éviter que le papier chargé ne s'incline ou ne se froisse.



- 6** L'écran de sélection du papier s'affiche. Sélectionnez le type de papier que vous avez chargé. Dans cet exemple, sélectionnez **Papiers couchés**, puis **Papiers couchés**.

Sél. support (feuille de découpe)	
1: 0 entrée de journal sélec.	
2: 0 entrée de journal sélec.	
3: 0 entrée de journal sélec.	
Papiers ordinaires	<input checked="" type="checkbox"/>

Le chargement du papier commence.

**Important**

- Cette imprimante autorise le rechargement de 1 seule feuille de papier. Ne chargez pas 2 feuilles de papier ou plus. Cela pourrait provoquer un bouchage de papier.
- Si le papier est ondulé ou enroulé, il pourrait provoquer un bouchage de papier. Aplanissez le papier avant de le charger.



**7**

Lorsque le chargement du papier terminé, l'imprimante démarre automatiquement le chargement de l'encre pour la première fois et le réglage de la tête d'impression. Cela prend environ 25 minutes.

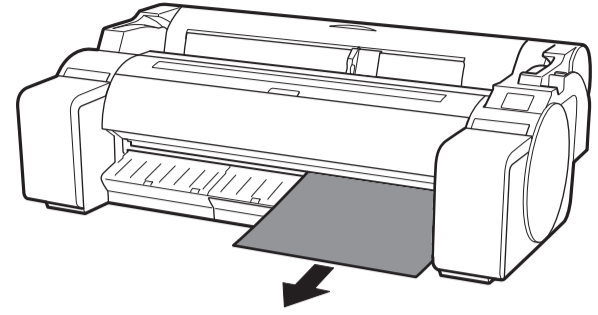
Pendant ce temps, installez le logiciel sur l'ordinateur. (Reportez-vous à "Connexion à l'imprimante", p. 12)

**Remarque**

- Le changement du système encre remplit le système des cartouches d'encre vers la tête d'impression. En outre, un nettoyage est effectué pour maintenir l'imprimante dans un état optimal. Cela peut faire baisser l'indicateur d'encre restante et de la capacité de la cartouche d'entretien d'une certaine quantité. Les cartouches d'encre de démarrage sont destinées à la première installation. Il est recommandé d'acheter rapidement des cartouches d'encre de remplacement.

**8**

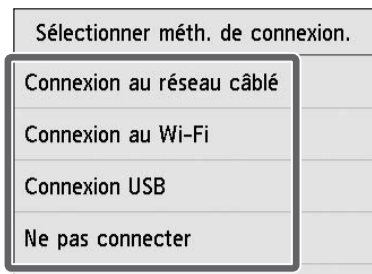
Lorsque l'ajustement de la tête d'impression est terminé, le papier comportant le motif de réglage est éjecté. Les instructions permettant de retirer le papier s'affichent sur l'écran tactile. Effectuez le reste de la procédure en suivant les instructions.

**Important**

- N'utilisez pas le levier de relâchement tant que les instructions indiquant de retirer le papier ne s'affichent pas sur l'écran tactile. Si vous utilisez le levier de relâchement alors que l'impression est en cours, celle-ci s'arrêtera en cours de route.

# Effectuez l'ajustement de la tête d'impression et sélectionnez la méthode de connexion

Choisissez la méthode de connexion à utiliser lorsque l'écran de sélection de la méthode de connexion s'affiche.



**Remarque** • Si vous connectez l'imprimante au réseau à l'aide d'une adresse IP fixe, sélectionnez **Ne pas connecter**. Configurez les réglages de l'écran tactile de l'imprimante une fois que l'imprimante a fini de charger l'encre pour la première fois et d'ajuster la tête d'impression.

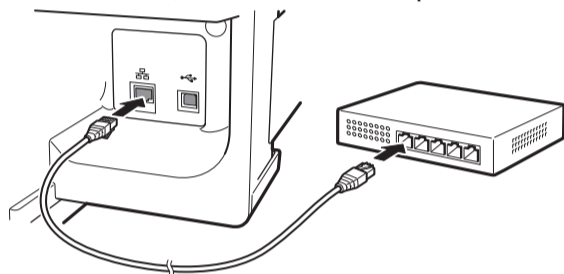
## Connexion au réseau câblé

Il s'agit de la méthode de connexion de l'imprimante au réseau à l'aide d'un câble réseau.

**1** Sélectionnez **Connexion au réseau câblé**. Consultez le message à propos de la méthode de connexion et sélectionnez **Oui** en cas d'absence de problèmes.

**2** Un message vous invitant à connecter le câble réseau s'affiche.

**3** Utilisez le câble réseau pour raccorder le connecteur du réseau câblé au port du concentrateur, sur le côté de l'imprimante.



**4** Sélectionnez **OK**.

## Connexion au Wi-Fi

Il s'agit de la méthode de connexion de l'imprimante au réseau sans utiliser de câble.

**1** Sélectionnez **Connexion au Wi-Fi**. Consultez le message à propos de la méthode de connexion et sélectionnez **Oui** en cas d'absence de problèmes.

**2** Un message vous invitant à configurer une connexion Wi-Fi s'affiche.

**3** **Si vous procédez à la configuration depuis un ordinateur**  
-> Sélectionnez **Oui**.

**Si vous procédez à la configuration depuis l'imprimante**  
-> Sélectionnez **Non**.

## Connexion USB

Il s'agit de la méthode de connexion de l'imprimante à un ordinateur à l'aide d'un câble USB.

Ne raccordez pas encore le câble USB.

**1** Sélectionnez **Connexion USB**. Consultez le message à propos de la méthode de connexion et sélectionnez **Oui** en cas d'absence de problèmes.

Le papier commence à se charger, puis l'imprimante démarre automatiquement le chargement de l'encre pour la première fois et le réglage de la tête d'impression. Le chargement de l'encre pour la première fois et l'ajustement de la tête d'impression pour la première fois prennent environ 25 minutes.



**Important** • N'ouvrez pas les capots de l'imprimante et ne coupez pas l'alimentation pendant que l'encre est en train de se charger pour la première fois et que la tête d'impression est en cours d'ajustement.



**Remarque** • Si vous avez sélectionné **Ne pas connecter**, les paramètres de connexion et l'installation du logiciel peuvent être effectués séparément.  
Passez à "Connexion à l'imprimante", p. 12.

• Le changement du système en encre remplit le système des cartouches d'encre vers la tête d'impression. En outre, un nettoyage est effectué pour maintenir l'imprimante dans un état optimal. Cela peut faire baisser l'indicateur d'encre restante et de la capacité de la cartouche d'entretien d'une certaine quantité. Les cartouches d'encre de démarrage sont destinées à la première installation. Il est recommandé d'acheter rapidement des cartouches d'encre de remplacement.

## Connexion au réseau câblé

Vous pouvez configurer les paramètres de connexion de l'imprimante et de l'ordinateur et installer le logiciel lorsque l'encre est en cours de chargement pour la première fois et que la tête d'impression est en cours de réglage.

Passez à "Connexion à l'imprimante", p. 12.

## Connexion au Wi-Fi

**Si vous procédez à la configuration depuis un ordinateur**

->Vous pouvez configurer les paramètres de connexion de l'imprimante et de l'ordinateur et installer le logiciel lorsque l'encre est en cours de chargement pour la première fois et que la tête d'impression est en cours de réglage.

Passez à "Connexion à l'imprimante", p. 12.

**Si vous procédez à la configuration depuis l'imprimante**

->Configurez les paramètres Wi-Fi à partir de l'imprimante, après qu'elle a fini le chargement de l'encre pour la première fois et le réglage de la tête d'impression.

Passez à "Configuration des réglages Wi-Fi sur l'imprimante", p. 13.

## Connexion USB

Vous pouvez configurer les paramètres de connexion de l'imprimante et de l'ordinateur et installer le logiciel lorsque l'encre est en cours de chargement pour la première fois et que la tête d'impression est en cours de réglage.

Passez à "Connexion à l'imprimante", p. 12.



## Connexion à l'imprimante

Les réglages de connexion de l'imprimante et l'installation du logiciel s'effectuent à l'aide d'un ordinateur.

Vous pouvez télécharger le fichier de configuration depuis notre site Web. Si vous utilisez un PC Windows, vous pouvez également exécuter le fichier depuis le CD-ROM.

Toutefois, si vous avez sélectionné **Non** à l'étape 3 pour la connexion Wi-Fi, p. 11, configurez uniquement les paramètres Wi-Fi en utilisant uniquement l'imprimante. Passez à "Configuration des réglages Wi-Fi sur l'imprimante", p. 13.

### Téléchargement et exécution depuis le site Web (Windows/Mac)

- 1 Saisissez l'URL suivante dans le navigateur Web de votre ordinateur pour accéder au site Web.

<http://ij.start.canon>



- 2 Cliquez sur **Configuration**. Exécutez les opérations restantes en suivant les instructions affichées à l'écran.



- 3 Cliquez sur **Télécharger** pour télécharger le fichier de configuration, puis lancez le fichier.

Si un écran d'avertissement relatif au téléchargement s'affiche, sélectionnez **Ne pas bloquer**, **Autoriser**, etc., puis passez à l'étape suivante.

• Cliquez sur **Télécharger** à partir de l'ordinateur auquel vous voulez connecter l'imprimante.



### Démarrage depuis le CD-ROM (Windows)

#### Si vous utilisez Windows 10 ou Windows 8.1

- 1 Insérez le CD-ROM d'installation dans l'ordinateur.



- 2 Cliquez sur le message contextuel du disque dur, puis sur **Exécuter Msetup4.exe** sur l'écran affiché.

Si le message ne s'affiche pas (ou s'il s'est effacé)

- ① Cliquez sur ou **Explorateur de fichiers** dans la barre de tâches.
- ② Cliquez sur **Ce PC**, à gauche de la fenêtre qui s'ouvre.
- ③ Double-cliquez sur l'icône CD-ROM , à droite de la fenêtre.
- ④ Si le contenu du CD-ROM s'affiche, double-cliquez sur **Msetup4.exe**.

- 3 Si la boîte de dialogue **Contrôle de compte d'utilisateur** s'affiche, cliquez sur **Oui** et passez à l'étape suivante.

#### Si vous utilisez Windows 7

- 1 Insérez le CD-ROM d'installation dans l'ordinateur.



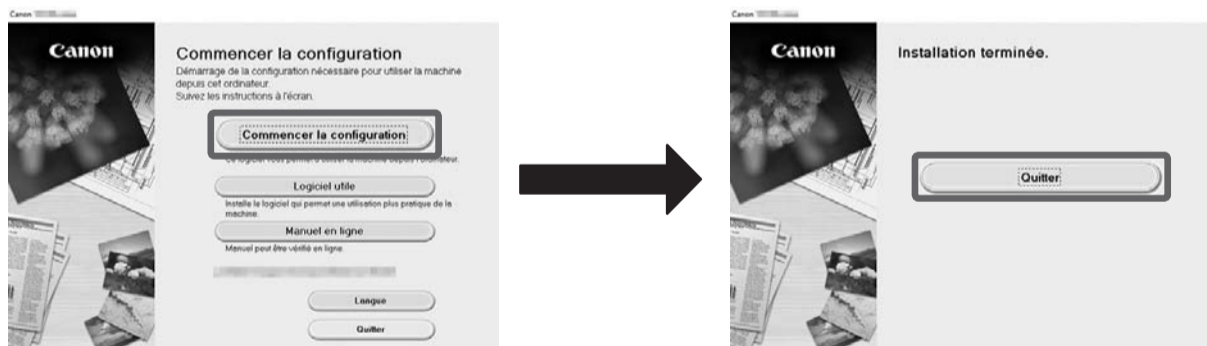
- 2 Lorsque l'écran **Lecture automatique** s'affiche, cliquez sur **Exécuter Msetup4.exe**.

Si l'écran **Lecture automatique** ne s'affiche pas

- ① Cliquez sur **Ordinateur** dans le menu Démarrer.
- ② Double-cliquez sur l'icône CD-ROM , à droite de la fenêtre qui s'affiche.
- ③ Si le contenu du CD-ROM s'affiche, double-cliquez sur **Msetup4.exe**.

- 3 Si la boîte de dialogue **Contrôle de compte d'utilisateur** s'affiche, cliquez sur **Continuer** et passez à l'étape suivante.

- 4 Cliquez sur **Commencer** la configuration.  
Configurez les réglages en suivant les instructions affichées à l'écran.



Ceci termine la configuration.

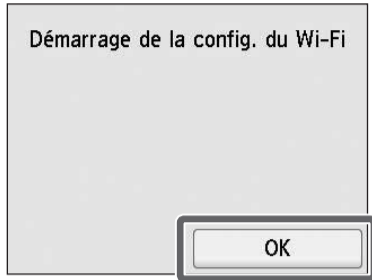
#### Remarque

- Un écran permettant de choisir la méthode de connexion de l'imprimante peut s'afficher au milieu de la configuration des réglages. Le cas échéant, choisissez la méthode que vous avez sélectionnée p. 11 et cliquez sur **Suivant**, puis continuez avec le reste des réglages.
- Raccordez le câble USB à l'emplacement approprié.

## Configuration des réglages Wi-Fi sur l'imprimante

Si vous avez sélectionné **Non** à l'étape 3 pour la connexion Wi-Fi, p. 11, configurez les paramètres Wi-Fi à l'aide de l'écran tactile de l'imprimante.

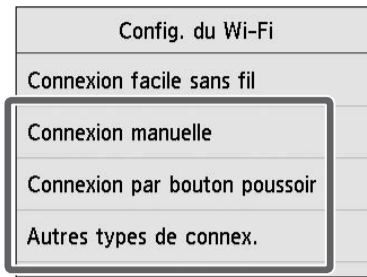
- 1** Une fois l'ajustement de la tête d'impression terminé, vérifiez que l'écran suivant s'affiche et sélectionnez **OK**.



**Remarque**

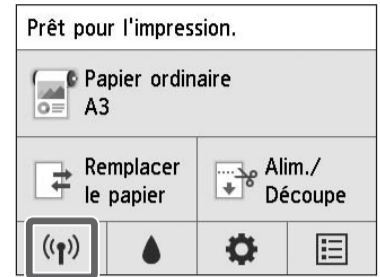
- Si le message suivant s'affiche, les réglages initiaux de l'imprimante ne sont pas terminés. Patientez jusqu'à ce que l'écran ci-dessus s'affiche.  
**Vérification de la buse.**  
**Injection de l'encre dans la tête d'impression...**  
**Nettoyage...**

- 2** Sélectionnez la méthode de connexion.



Configurez les paramètres Wi-Fi en suivant les instructions affichées à l'écran.

- 3** Lorsque l'écran d'accueil et (Réseau) s'affichent, les paramètres Wi-Fi sont configurés.



**Remarque**

- Avant d'utiliser l'imprimante, le logiciel doit être installé sur l'ordinateur connecté à l'imprimante.

Passez à "Connexion à l'imprimante", p. 12.

## Impression à partir d'un smartphone ou d'une tablette

Avec l'application "Canon PRINT Inkjet/SELPHY", vous pouvez facilement imprimer des photos sans fil sur votre smartphone ou votre tablette (fonctionnant sous iOS ou Android). Vous pouvez télécharger cette application en accédant au Code QR, à droite.



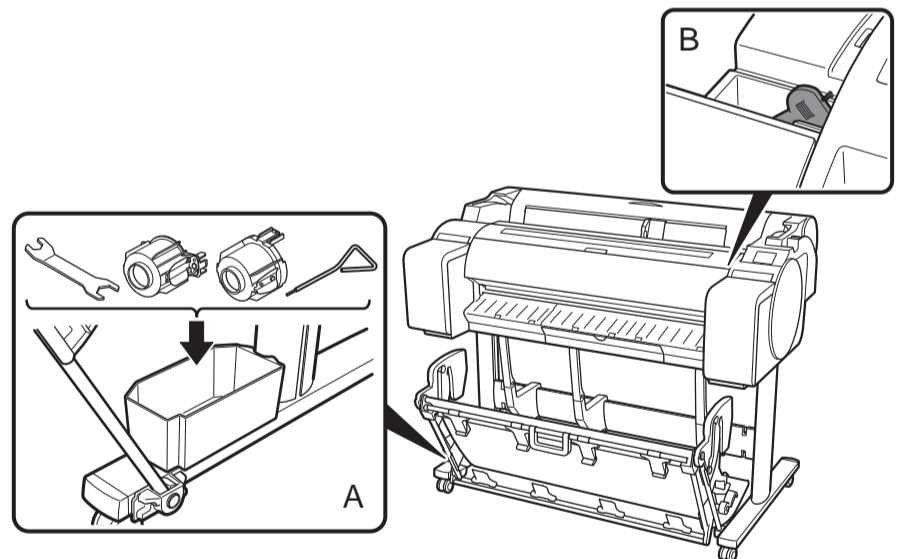
## Rangement des accessoires

**A : Accessory pocket**

- Vous pouvez l'utiliser pour ranger des accessoires tels que la fixation du tube à papier de 3 pouces.
- Le compartiment accessoires est inclus avec le socle. Reportez-vous à "Montage du compartiment accessoires" dans le Guide d'installation du socle de l'imprimante (manuel distinct) pour plus de détails sur la méthode de montage.

**B : Cleaning brush**

- Lorsque vous ouvrez le capot supérieur, une brosse de nettoyage est rangée à droite. Utilisez-la lorsque vous nettoyez l'intérieur du capot supérieur.



## Rechargement d'un rouleau de papier après la configuration

Pour charger un rouleau de papier après la configuration, sur l'écran d'accueil, sélectionnez **Chargez du papier**, puis **Charger le papier rouleau**, puis suivez les instructions à l'écran.

Pour plus de détails, reportez-vous au Manuel en ligne. =>"Méthode d'affichage des manuels électroniques", p. 14





## Méthode d'affichage des manuels électroniques

Le Manuel en ligne explique comment utiliser l'imprimante. Vous pouvez y accéder et depuis le site Web Canon, comme indiquées ci-dessous.

1

Accédez au site Web Canon selon l'une des méthodes suivantes.

· Saisissez l'URL

<http://ij.start.canon>



· Balayez le code QR



\* Une app est nécessaire pour numériser le code QR.

2

Sélectionnez **Lire le manuel en ligne**.

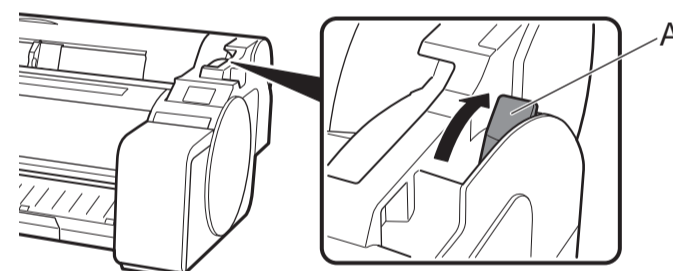
Effectuez les opérations restantes conformément aux instructions affichées à l'écran pour afficher le Manuel en ligne.



## Réponse aux messages

Des messages d'erreurs peuvent s'afficher sur l'écran tactile du panneau de contrôle lors de la configuration de l'imprimante. Le cas échéant, il est possible que cela ne signale pas un problème au niveau de l'imprimante, et que le problème puisse être résolu facilement. Les messages courants et les causes sont répertoriés ici avec les actions correctives. Pour plus de détails sur les autres messages, reportez-vous au Manuel en ligne.

Message	Cause	Action corrective
Vérifiez s'il y a réservoir d'encre, ses coul. et direc.	Aucune cartouche d'encre n'est chargée. La cartouche d'encre n'est pas fermement installée à fond.	Installez ou réinstallez la cartouche d'encre. (Reportez-vous aux étapes 1 à 8, p. 6)
La tête d'impression n'est pas correctement reconnue. Ouvrez le capot supérieur et installez la tête d'impression appropriée.	La tête d'impression n'est pas installée. Panne des contacts électriques au niveau de la tête d'impression.	Installez la tête d'impression. (Reportez-vous aux étapes 1 à 10, p. 7 et p. 8) Ôtez la tête d'impression, vérifiez qu'aucun débris n'adhère aux contacts de la tête d'impression et au chariot, puis remettez-la en place.
Le papier est chargé en formant un angle. Repoussez le levier de relâchement et rechargez le papier.	Il est possible que le papier ne soit pas chargé correctement (bien droit). (Il est possible que le guide de largeur ne corresponde pas au papier. Reportez-vous à l'étape 5, p. 9.)	Rechargez le papier. (Reportez-vous aux étapes 2 à 6, p. 9) Utilisez le levier de relâchement (A).
Impossible de détecter le format du papier. Déplacez le levier de relâchement et rechargez le papier.	Il est possible que le papier ne soit pas chargé à l'endroit approprié. (Il est possible que l'extrémité droite du papier ne soit pas alignée sur la ligne d'alignement du papier. Reportez-vous à l'étape 4, p. 9.)	
Erreur de matériel ECxx-xxxx (x représente une lettre ou un nombre) Une erreur d'impression est survenue. Mettez le périphérique hors tension, patientez quelques instants, puis rallumez-le.	Il est possible que vous rencontriez une erreur qui ne puisse pas être résolue.	Mettez l'imprimante hors tension et patientez au moins 3 secondes avant de rétablir l'alimentation. Si le message s'affiche à nouveau, inscrivez le code d'erreur et le message, mettez l'imprimante hors tension et contactez votre revendeur Canon pour bénéficier d'une assistance.
Erreur Ecxxx-xxxx (x représente une lettre ou un nombre) Une erreur d'impression est survenue. Consultez le manuel et contactez le centre de service.	Il est possible que vous rencontriez une erreur qui ne puisse pas être résolue.	Inscrivez le code d'erreur et le message, mettez l'imprimante hors tension et contactez votre revendeur Canon pour bénéficier d'une assistance.



**Importante** • As Instruções neste Guia de configuração mostram a impressora TM-305. Observe que sua impressora poderá ter uma aparência diferente dessas ilustrações em alguns casos. No entanto, as operações básicas são as mesmas.

## Antes de preparar a impressora

Para garantir que este produto seja usado com segurança, leia as precauções.

-> [Guia rápido \(manual separado\)](#)

## Espaço para instalação

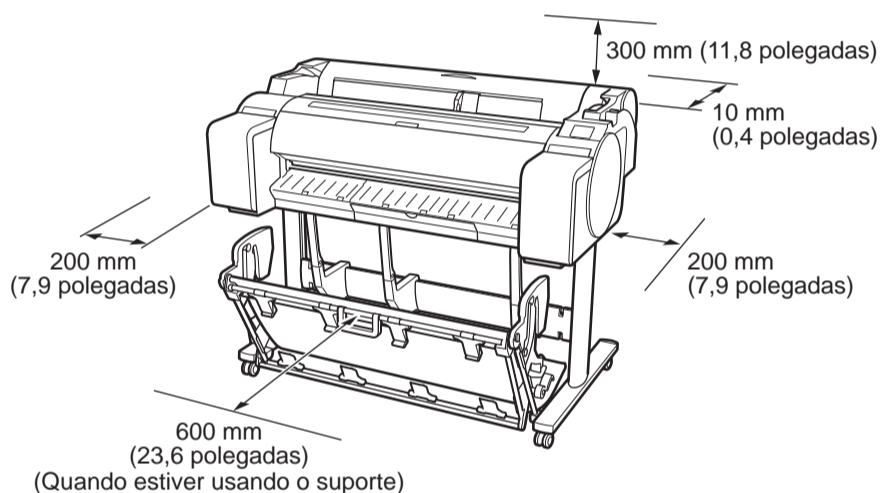
É recomendável que você reserve espaço das seguintes dimensões para que possa trabalhar ao redor da impressora. As imagens abaixo mostram o espaço necessário para instalar cada impressora.

**Importante** • O suporte da impressora pode não acompanhar este modelo.  
• O espaço necessário à frente da impressora varia dependendo de como a cesta fornecida com o suporte da impressora for usado. Esta imagem exibe o espaço de instalação quando usado na posição da ilustração.

### TM-305/TM-300

Espaço de instalação (L x P x A)

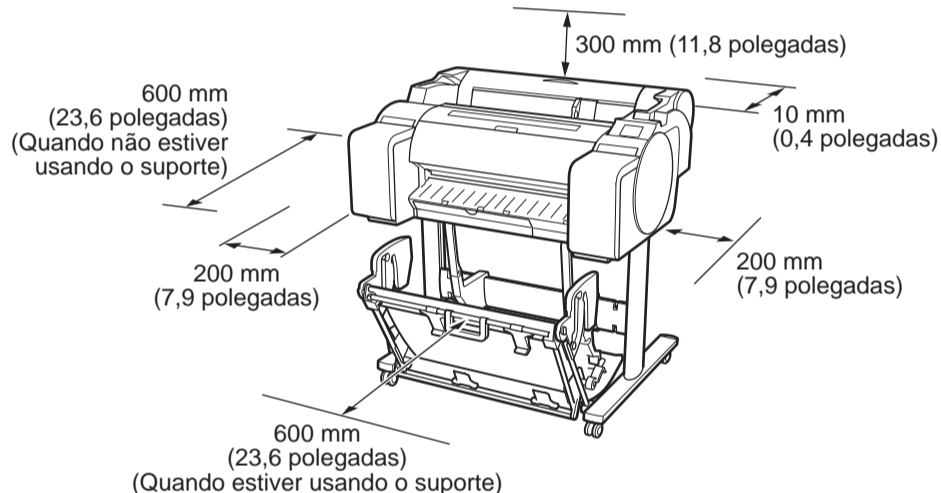
- Ao usar o modelo SD-32  
1.689 x 1.700 x 1.360 mm (66,5 x 67,0 x 53,6 polegadas)



### TM-205/TM-200

Espaço de instalação (L x P x A)

- Quando não estiver usando o suporte  
1.382 x 1.358 x 739 mm (54,5 x 53,5 x 29,1 polegadas)
- Ao usar o modelo SD-23  
1.382 x 1.700 x 1.360 mm (54,5 x 67,0 x 53,6 polegadas)



## Visão geral da configuração

Configure a impressora usando o procedimento a seguir.

- \* Montagem do suporte (P.3)
- Instalação da impressora (P.3)
- Ligar a impressora (P.5)
- Instalação dos cartuchos de tinta (P.6)
- Instalação da cabeça de impressão (P.7)
- Carregamento do papel (P.9)
- Realizar o ajuste da cabeça de impressão e selecionar o método de conexão (p.11 a p.13)  
Conexão à impressora

• Faça a verificação após realizar a configuração.

- Impressão de um smartphone ou tablet (P.13)
- Armazenamento de acessórios (P.13)
- Carregamento de papel em rolo após a configuração (P.13)
- Como exibir o Manual On-Line (P.14)

Se uma mensagem de erro aparecer durante a configuração ou outros problemas ocorrerem, consulte "Responder a mensagens" na p. 14.

• Windows é uma marca comercial ou marca comercial registrada da Microsoft Corporation nos EUA e/ou em outros países.

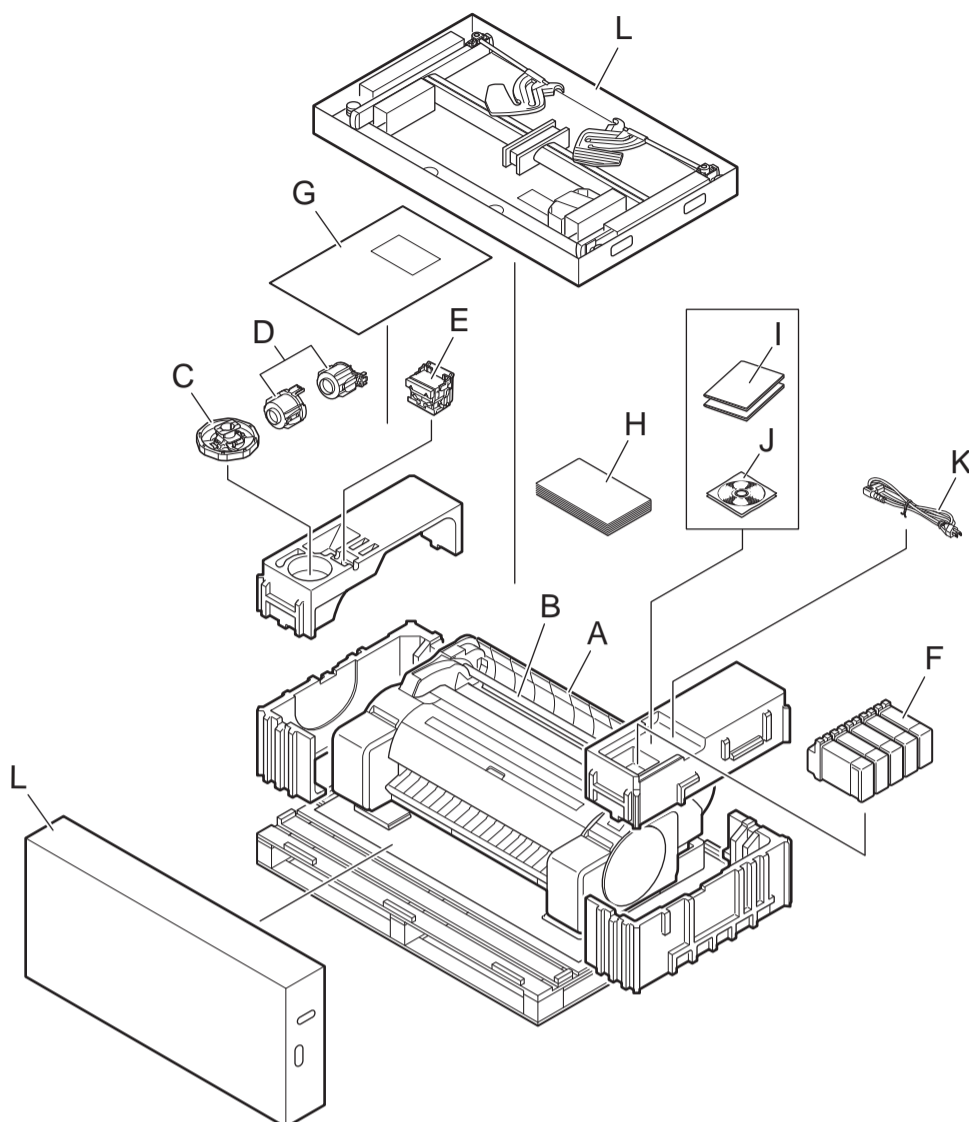
## Conteúdos da embalagem

- A. Impressora
- B. Suporte do rolo: Já montado na impressora
- C. Fixador do suporte (\*1)
- D. Anexo de núcleo de papel de 3 polegadas (R, L)
- E. Cabeça de impressão
- F. Cartuchos de tinta iniciais (para a primeira instalação) (C, M, Y, MBK, BK)
- G. Papel de ajuste
- H. Guia de configuração (este manual)
- I. Conjunto de documentação da impressora
- J. Conjunto de CD-ROMs
- K. Cabo de alimentação
- L. Conjunto de suporte (\*2)

\*1 O fixador do suporte é usado para carregar papel em rolo. Para obter mais detalhes, consulte o Manual On-line.

\*2 Conjunto de Suporte

- Incluído como um acessório padrão em apenas algumas regiões.
- Pode estar embrulhado em uma caixa separada, dependendo da região em que a impressora foi adquirida.
- Os acessórios do Suporte estão descritos no Guia de configuração de suporte da impressora.



- Nota**
- Alguns itens acompanham a impressora, mas não são descritos neste manual. Mantenha esses itens em um local seguro após a configuração, pois eles são usados em diversas aplicações de impressão.
  - Para instruções de uso dos itens inclusos mas não descritos neste manual, consulte o Manual On-line. ("Como exibir o Manual On-Line" na p. 14)
  - O cabo para conectar a impressora ao computador não é fornecido com a impressora.

## Manuais fornecidos com esta impressora

Os manuais a seguir estão incluídos com a impressora.

### Manuais impressos

#### Guia de configuração (este manual)

Descreve como configurar a impressora.

#### Guia de configuração de suporte da impressora

Descreve como montar o suporte.

Este item pode não estar incluído dependendo da região e das opções de compra selecionadas.

#### Guia rápido

Contém informações relacionadas aos avisos para o uso seguro deste produto e informações relacionadas à substituição do papel, cartuchos de tinta e a cabeça de impressão.

### Manuais eletrônicos

#### Manual On-line

O Manual On-line descreve todos os aspectos de uso da impressora, abrangendo de instruções básicas de impressão em papel em rolo ou folha cortada a dicas para economizar papel e manter a melhor qualidade de impressão. Além disso, descreve como imprimir pôsteres e banners com o software fornecido.

Para visualizar os manuais eletrônicos, consulte "Como exibir os manuais eletrônicos" (p.14).



## Montagem do suporte

· Quando usar o suporte

-> Monte o suporte em que você instalará a impressora consultando o Guia de configuração de suporte da impressora (manual separado).

· Quando não usar o suporte

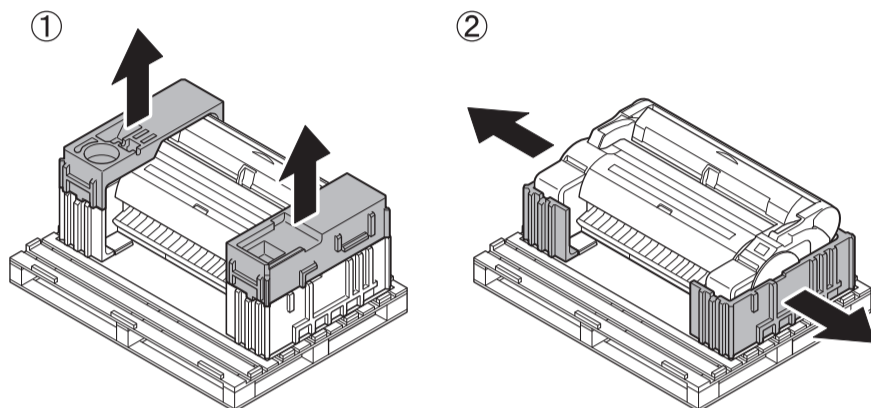
-> Prossiga para "Instalação da impressora".



## Instalação da impressora

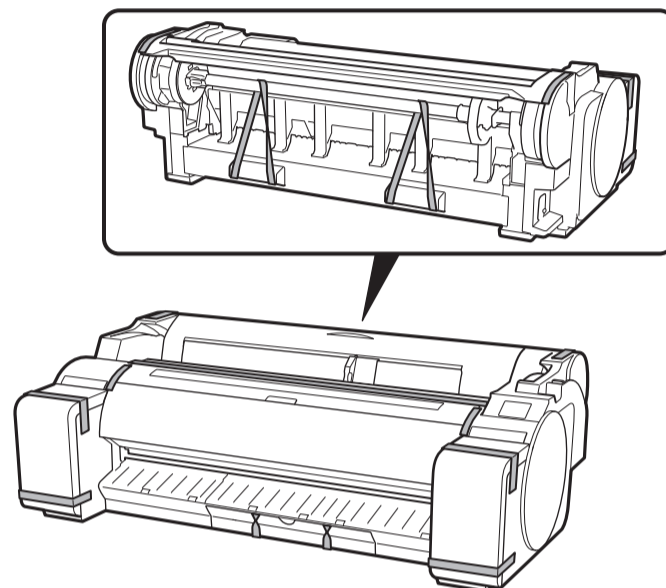
# 1

Remova a embalagem.



# 2

Remova as fitas adesivas e outros materiais de embalagem. Remova a fita do suporte do rolo.



# 3

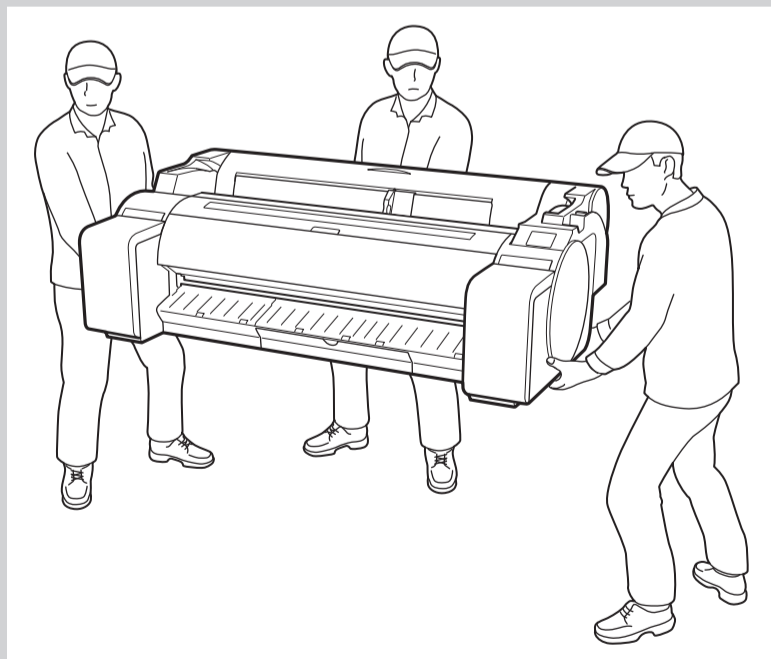
Em 3 pessoas, levante a impressora. Uma pessoa deve segurar as alças de transporte na parte inferior de cada lateral e outra pessoa deve segurar as alças no centro da lateral posterior.

**Cuidado**

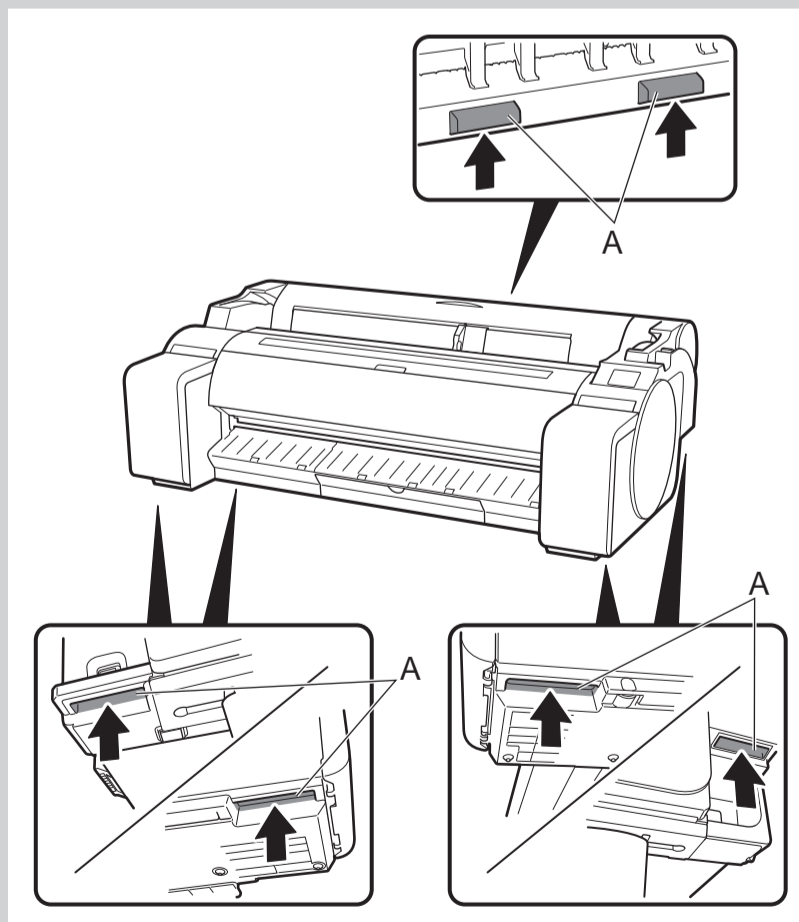
• Para mover a impressora, são necessárias ao menos 3 pessoas, uma no lado esquerdo, uma no lado direito e outra na parte de trás. Tenha cuidado para evitar lesões na coluna e outros ferimentos devido ao peso da impressora.

<Peso da impressora (apenas impressora)>

- TM-305: Aprox. 49 kg (108 lb)
- TM-300: Aprox. 48 kg (106 lb)
- TM-205: Aprox. 41 kg (91 lb)
- TM-200: Aprox. 41 kg (91 lb)

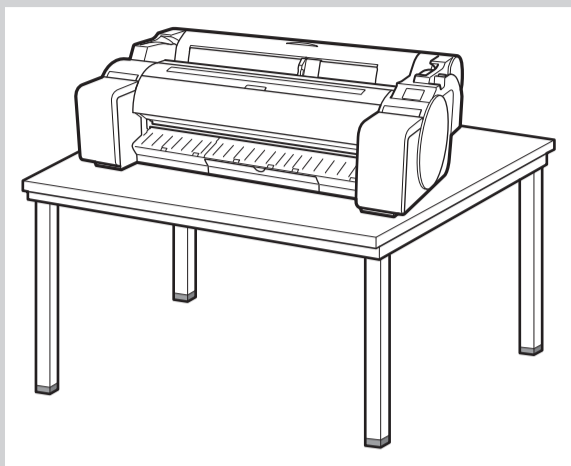


• Ao mover a impressora, segure com firmeza nas alças de transporte (A) sob cada lado e na parte de trás. Segurar a impressora em outras posições é perigoso e oferece risco de ferimentos e danos se a impressora cair.





**Cuidado** • Certifique-se de colocar a impressora em uma superfície plana e estável sempre que for deixar a impressora em algum lugar temporariamente.

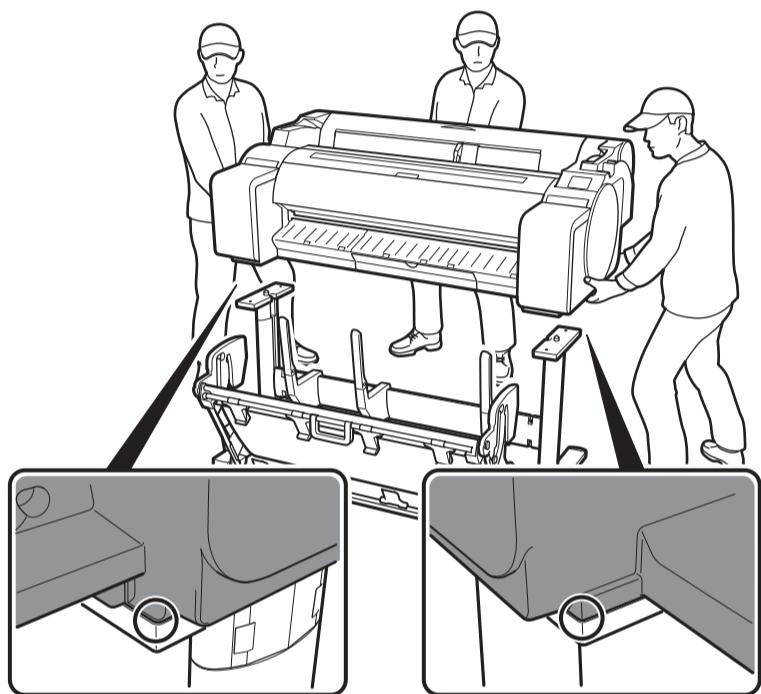


• Suportar apenas o centro da impressora ao carregar ou posicionar a impressora pode danificar a impressora.



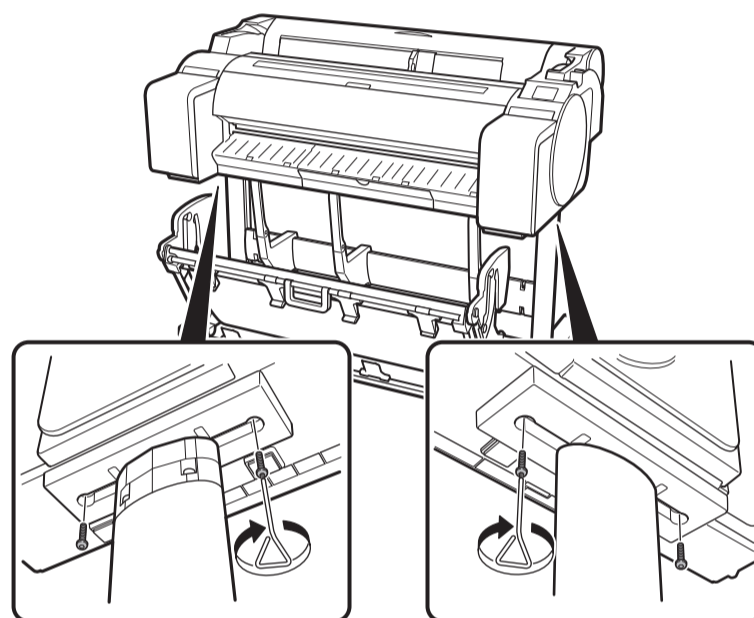
**4**

Coloque a impressora no suporte de forma que os cantos inferiores traseiros da impressora estejam alinhados aos cantos do suporte.



**5**

Anexe a impressora ao suporte. Use uma chave allen para fixar a impressora com 2 parafusos sextavados M4 em cada lado, pela parte inferior da placa de apoio.



**Importante**

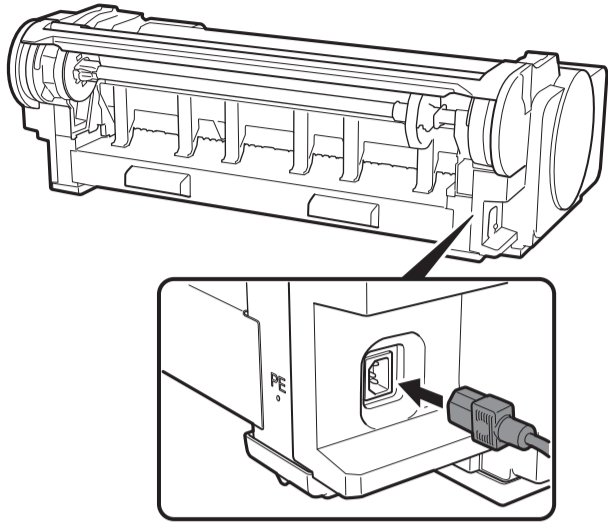
• Se não estiver usando um suporte, coloque a impressora no local de instalação e prossiga para "Ligar a impressora".



## Ligar a impressora

1

Insira o cabo de alimentação no conector de alimentação, localizado na lateral da impressora.

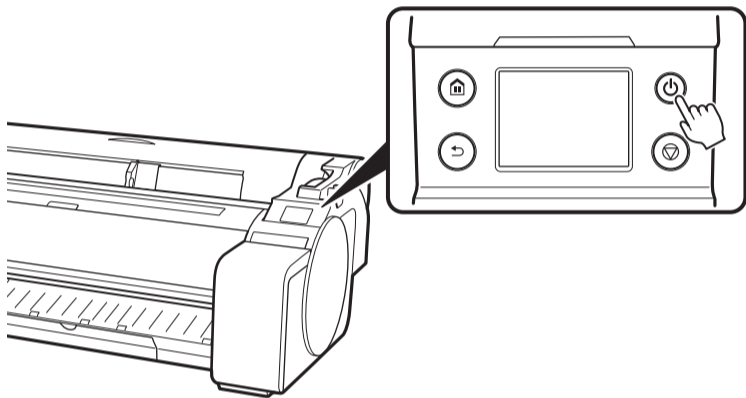


2

Conecte o cabo de alimentação à tomada.

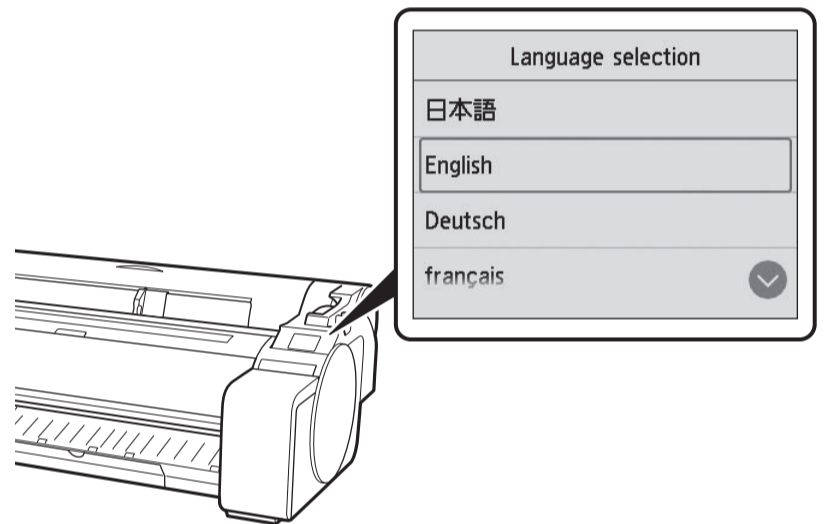
3

Ligar a impressora.



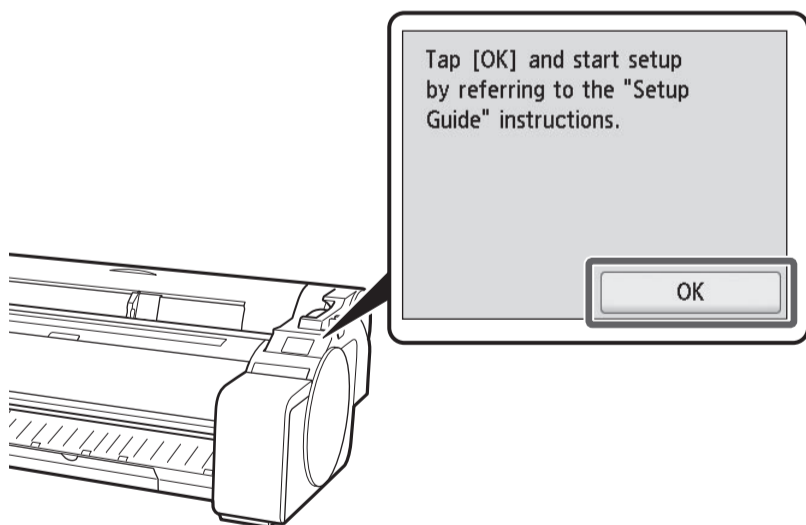
4

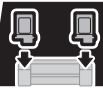
Quando aparecer a tela para seleção do idioma na tela sensível ao toque, selecione um idioma. Então, se aparecer a tela para seleção do fuso horário, selecione sua região.



5

Quando aparecer um mensagem solicitando você a iniciar a configuração na tela sensível ao toque, selecione **OK**.

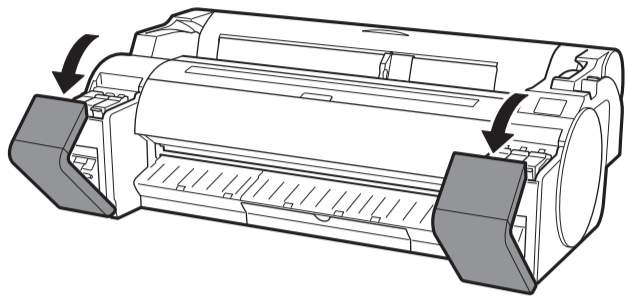




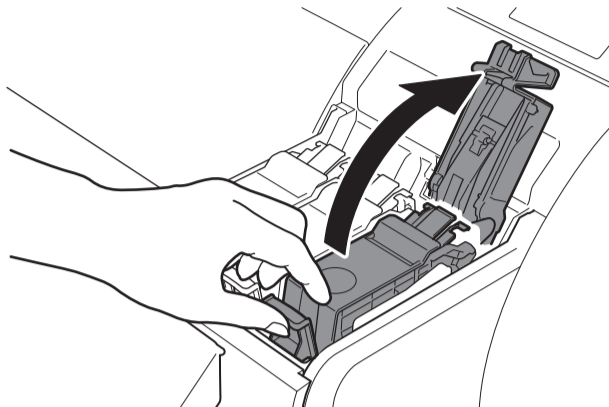
# Instalação dos cartuchos de Tinta

Instale os 5 cartuchos de tinta seguindo as instruções na tela.

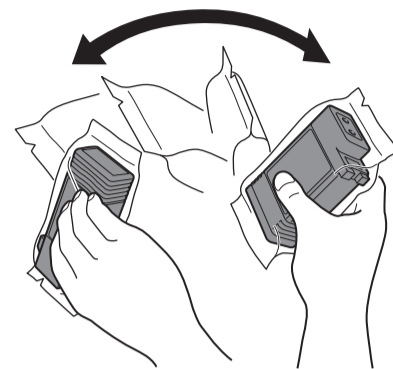
**1** As Instruções para a instalação do cartucho de tinta são mostradas na tela sensível ao toque. Abra as tampas do cartucho de tinta, conforme instruído, segurando as alças.



**2** Enquanto pressiona a ponta da alavanca de bloqueio do cartucho de tinta no sentido horizontal, abra a alavanca de bloqueio do cartucho de tinta para cima.



**3** Agite gentilmente cada cartucho de tinta 1 a 2 vezes antes de abrir seu compartimento.



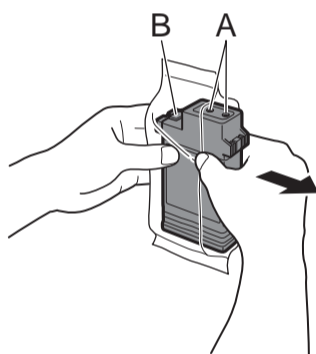
**Importante**

• Cartuchos de tinta não agitados previamente podem resultar em qualidade de impressão reduzida, pois os ingredientes da tinta se acumulam no fundo do cartucho.

**Nota**

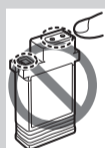
• Se o cartucho de tinta estiver frio, permita que atinja a temperatura ambiente antes de conectá-lo à impressora.

**4** Abra o compartimento e remova o cartucho de tinta.

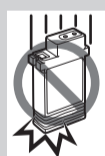


**Importante**

• Nunca toque os orifícios de tinta (A) ou os contatos de metal (B). Tocar estas partes pode causar manchas, danificar o cartucho de tinta, e afetar a qualidade de impressão.

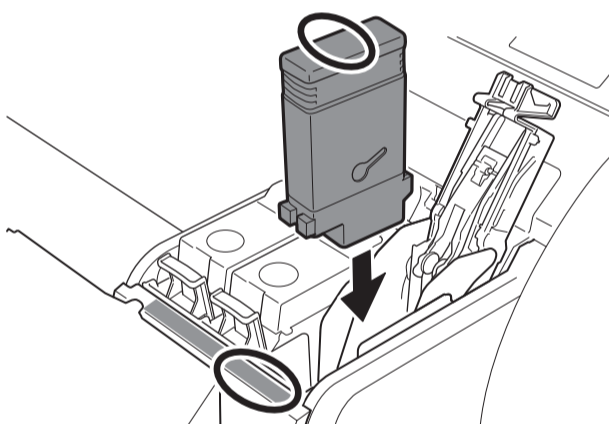


• Evite derrubar o cartucho de tinta após removê-lo do compartimento. Caso contrário, pode haver vazamento de tinta e causar manchas.



• Não remova os cartuchos de tinta para agitá-los após terem sido montados. Isto pode causar derramamento de tinta.

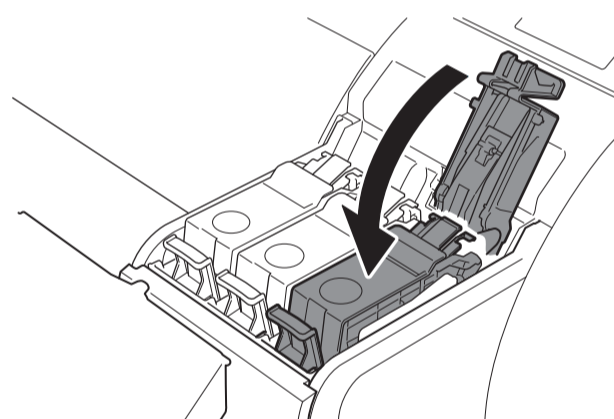
**5** Após verificar se a cor do cartucho de tinta é igual à cor exibida na etiqueta da impressora, insira o cartucho de tinta no suporte conforme a ilustração.



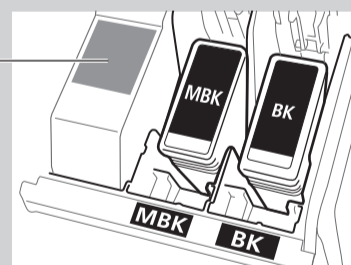
**Importante**

• Os cartuchos de tinta BK e MBK podem ser confundidos facilmente, portanto, tenha muito cuidado com estas cores.

**6** Feche a alavanca de bloqueio do cartucho de tinta até clicar.

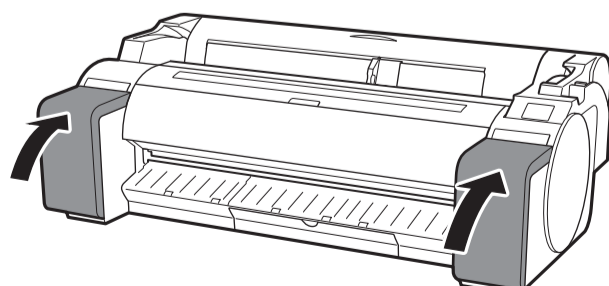


Verifique as etiquetas e certifique-se de que os cartuchos de tinta são instalados corretamente.



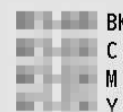
**7** Repita as etapas 2 a 6 para instalar cada um dos cartuchos de tinta.

**8** Feche as tampas do cartucho de tinta.



**9** Verifique se a cor do cartucho de tinta configurado é exibida na tela sensível ao toque e selecione **OK**.

The following genuine Canon ink tanks have been installed.



OK

**Importante**

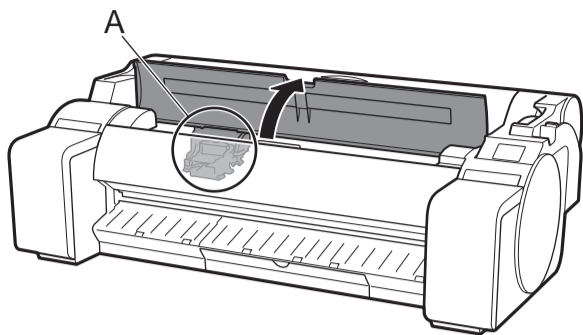
• Se a tela sensível ao toque não exibir a cor, repita as etapas 2 e 6.



## Instalação da cabeça de impressão

1

Quando a instrução para abrir a tampa superior aparecer na tela sensível ao toque, abra a tampa superior.



As Instruções sobre a instalação da cabeça de impressão agora são exibidas na tela sensível ao toque.

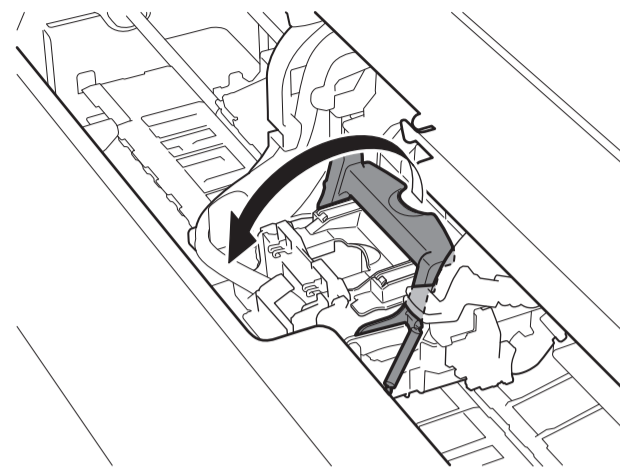


Importante

- Ao instalar a cabeça de impressão, não mova o carro (A) da posição mostrada na figura. Se você acidentalmente mover a posição do carro (A), feche a tampa superior. O carro (A) moverá para a posição na figura.

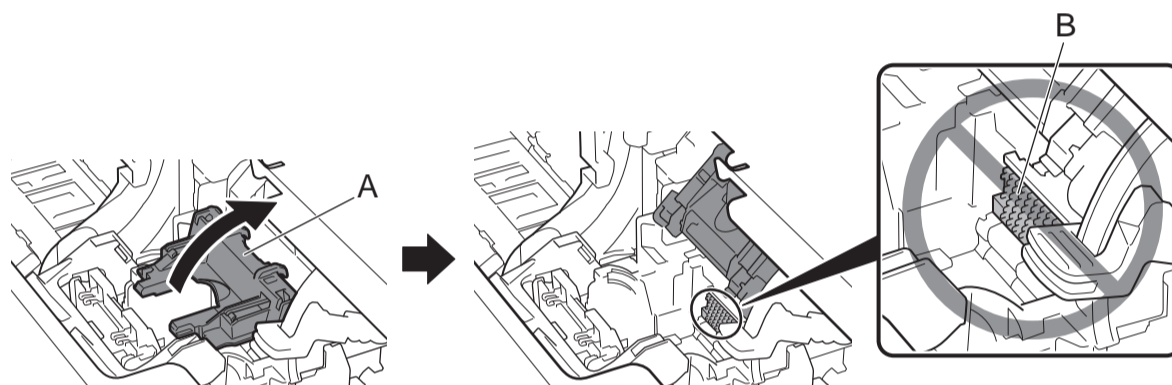
2

Incline a alavanca de bloqueio da cabeça de impressão em direção a si.



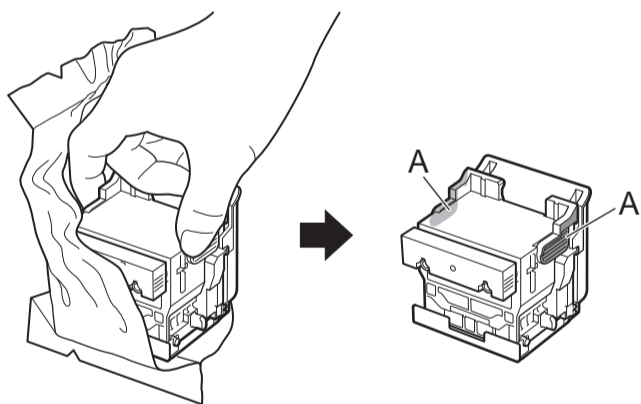
3

Abra a tampa de fixação da cabeça de impressão (A) e selecione **OK** na tela sensível ao toque. Neste momento, verifique se não há sujeira nos contatos elétricos (B) do carro.



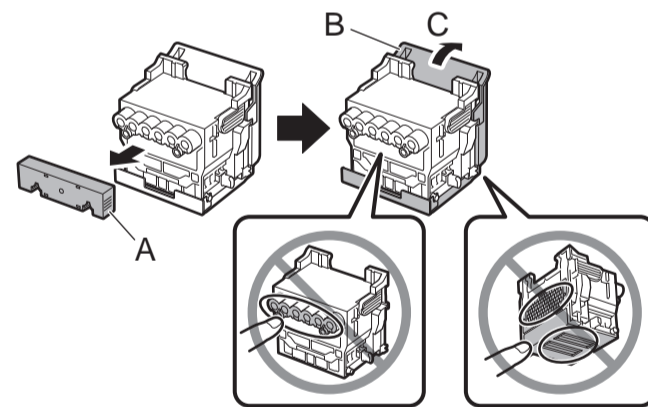
4

Remova a cabeça de impressão da embalagem segurando as partes da aba (A).



5

Remova a tampa de proteção laranja (A) e remova a outra tampa de proteção laranja (B) segurando a parte da aba (C).



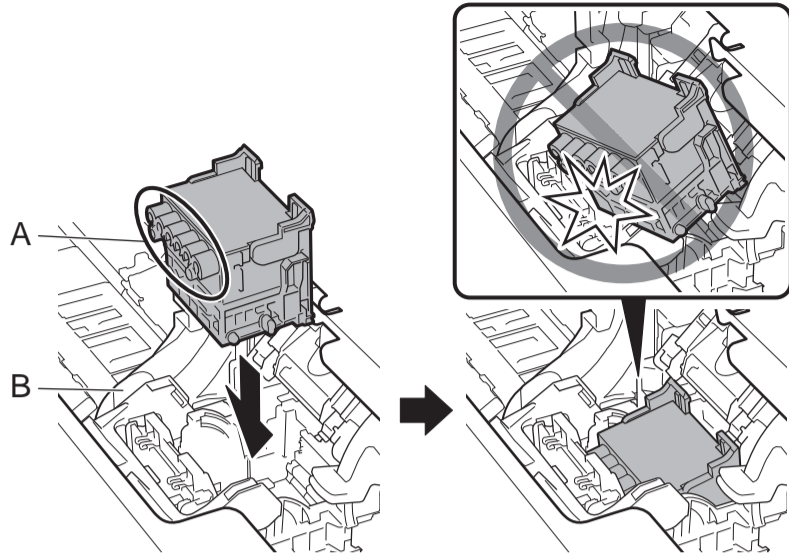
Importante

- Não toque na parte que estava sendo protegida pela tampa de proteção em circunstância alguma. Tocá-la pode causar danos severos à cabeça de impressão ou resultar em problemas de impressão.
- A cabeça de impressão é abastecida com tinta. Recomenda-se remover os materiais de proteção sobre a embalagem em que a cabeça de impressão foi fornecida para evitar que derramamentos sujem suas roupas ou os itens em volta.
- Não recoloca as tampas de proteção após removê-las. Descarte estes materiais de acordo com a legislação local.

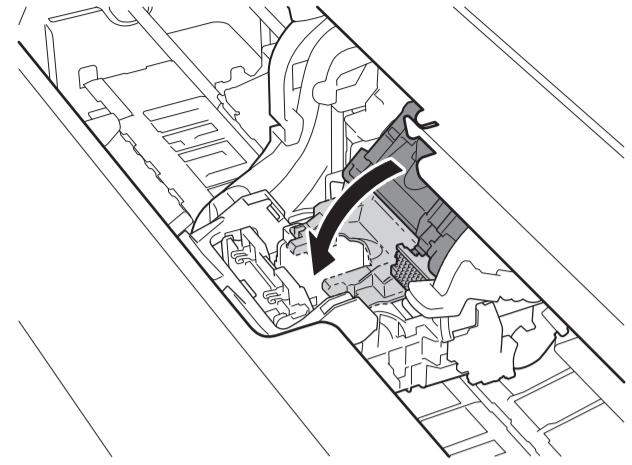


**6**

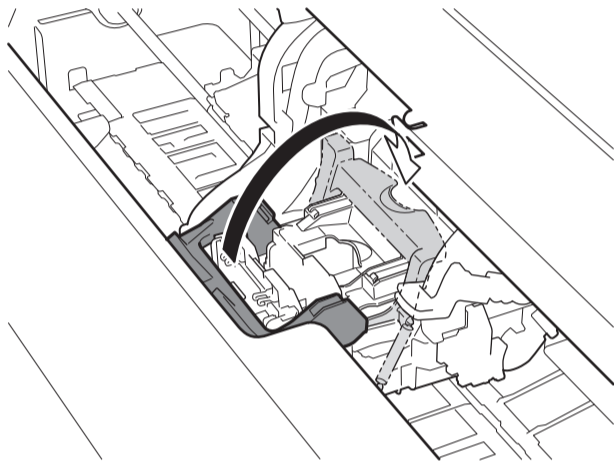
Insira a cabeça de impressão no carro (B) com os orifícios de tinta (A) na parte superior e virados para si, conforme mostrado na figura. Com cuidado, empurre a cabeça de impressão firmemente para dentro do carro (B), certificando-se de que a peça coberta pelas tampas de proteção não toquem o carro.

**7**

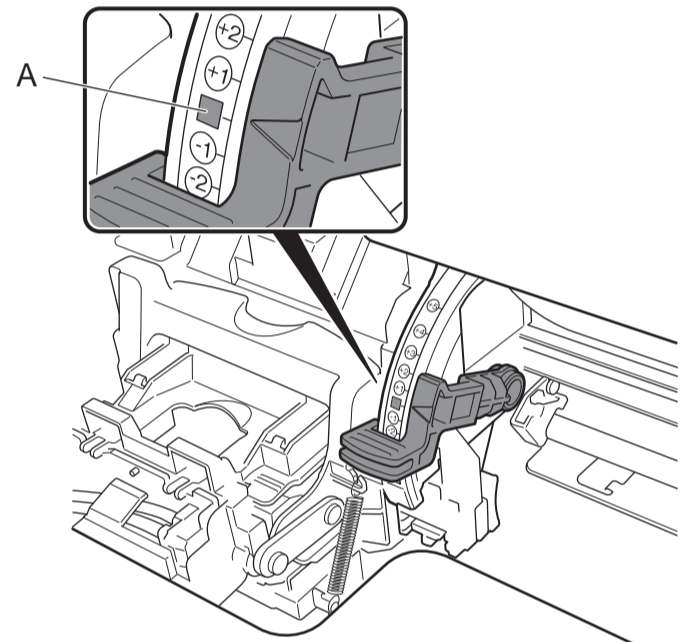
Puxe a tampa de fixação da cabeça de impressão para baixo, em direção à frente, para travar a cabeça de impressão no lugar.

**8**

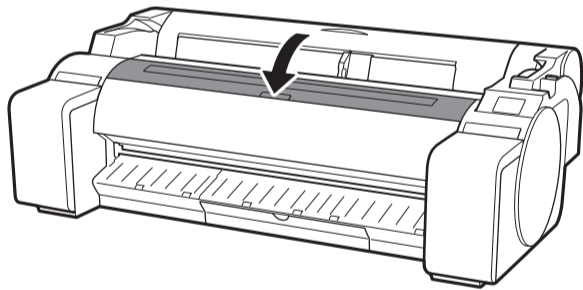
Empurre a alavanca de bloqueio da cabeça de impressão até o fim.

**9**

Verifique se a alavanca de ajuste de ângulo está alinhada com a posição do ■ vermelho (A). Se não estiver alinhado, alinhe a alavanca de ajuste de ângulo com o ■ vermelho (A).

**10**

Feche a tampa superior.





## Carregamento do papel

Carregamento do papel de ajuste.

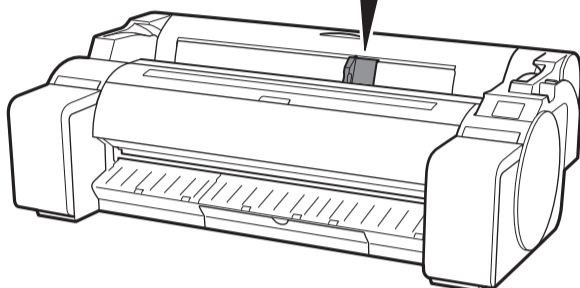
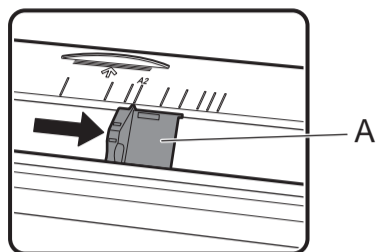
- 1** Quando **Selecione o papel que receberá a impressão do padrão de alinhamento da cabeça de impressão.** (Select the paper on which to print the print head alignment pattern.) aparecer na tela sensível ao toque, selecione **Manual**.

Select the paper on which to print the print head alignment pattern.

OK

A tela sensível ao toque exibe instruções sobre como colocar as folhas cortadas.

- 2** Deslize a guia de largura (A) para alinhá-la à marca que indica o tamanho do papel carregado. Neste exemplo, alinhe a guia à marca **A2**, que é o tamanho do papel de ajuste fornecido.

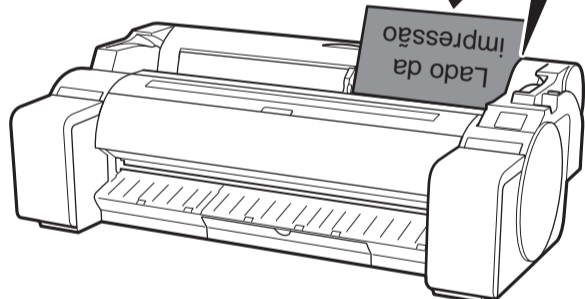
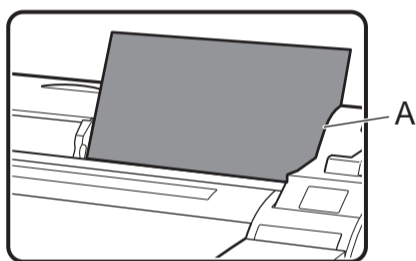


- 3** Prepare 1 folha de papel de ajuste. Identifique o lado impresso consultando a embalagem em que o papel foi enviado.

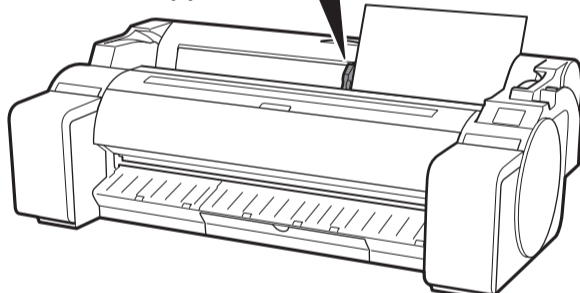
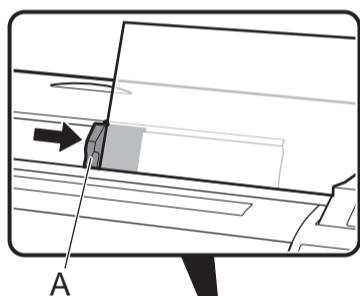
**Importante**

- Devolva o papel não usado à embalagem e guarde-o longe de temperaturas altas, umidade alta e da luz direta do sol.

- 4** Insira o papel diretamente no slot de alimentação com o lado impresso para cima, de forma que a borda direita do papel esteja alinhada à guia de alinhamento do papel (A) à direita da tampa do papel em rolo. Insira o papel até que a borda entre em contato e você ouça 2 bipes.



- 5** Ajuste a posição da guia de largura (A) de acordo com o tamanho do papel carregado. Alinhe a guia de largura precisamente com o papel para evitar que o papel carregado penda ou enrugue.



- 6** A tela para seleção do tipo de papel aparece. Selecione o tipo de papel que você carregou. Neste exemplo, selecione **Papéis revestidos (Coated papers)** e então **Papéis revestidos (Coated papers)**.

Select media type (cut sheet)

1: No selection log entry

2: No selection log entry

3: No selection log entry

Plain papers



A alimentação do papel inicia.

**Importante**

- Esta impressora permite que apenas 1 folha seja carregada. Não carregue 2 ou mais folhas. Fazê-lo pode causar atolamentos de papel.
- Se o papel estiver ondulado ou deformado, poderá ocorrer um atolamento de papel. Alise o papel antes de carregá-lo.

**7**

Quando a alimentação do papel terminar, a impressora automaticamente começa a abastecer a tinta pela primeira vez e a ajustar a cabeça de impressão. Este processo dura cerca de 25 minutos.

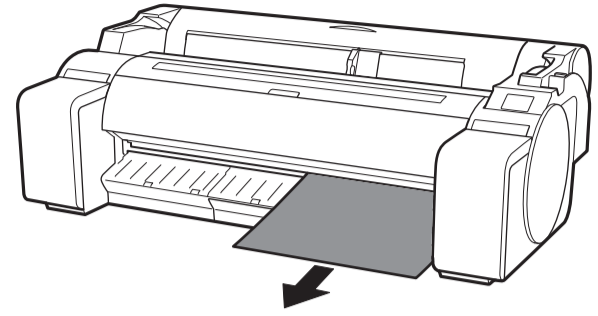
Durante este tempo, instale o software no computador. (Consulte "Conexão à impressora" na p.12)

**Nota**

- O carregamento do sistema com tinta enche o sistema dos cartuchos de tinta à cabeça de impressão. Além disso, a limpeza é realizada para manter a impressora em ótimas condições de uso. Isso poderá fazer com que o indicador de tinta restante e o indicador de capacidade do cartucho de manutenção diminuam a quantidade exibida. Os cartuchos de tinta iniciais devem ser usados para a primeira instalação. Recomenda-se comprar cartuchos de tinta extras o quanto antes.

**8**

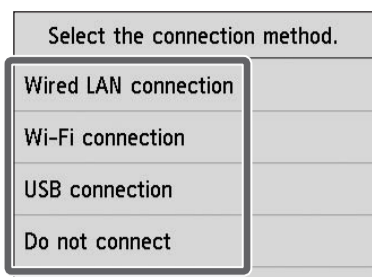
Quando o ajuste da cabeça de impressão for concluído, é ejetado o papel com o padrão de ajuste impresso. Instruções sobre como remover o papel serão exibidas na tela sensível ao toque. Realize o resto do procedimento seguindo as instruções.

**Importante**

- Não opere a alavanca de liberação até que seja exibida a instrução para remover papel na tela sensível ao toque. Se você operar a alavanca de liberação enquanto a impressão estiver em progresso, a impressão será interrompida no meio.

# Realizar o ajuste da cabeça de impressão e selecionar o método de Conexão

Quando a tela para selecionar o método de conexão aparecer, selecione o método de conexão a ser usado.



• Se você estiver conectando a impressora à rede usando um Endereço IP fixo, selecione **Não conectar (Do not connect)**. Ajuste as configurações na tela sensível ao toque da impressora após a impressora haver terminado de carregar a tinta pela primeira vez e de ajustar a cabeça de impressão.

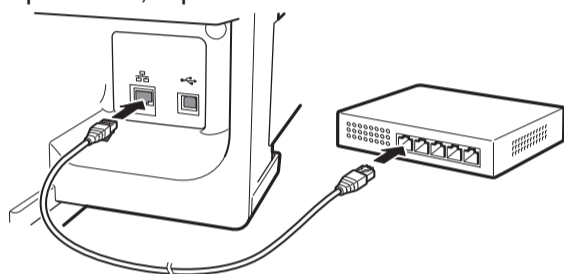
## Conexão LAN com fio (Wired LAN connection)

Este é o método para conectar a impressora a uma rede usando um cabo LAN.

**1** Selecione **Conexão LAN com fio (Wired LAN connection)**. Verifique a mensagem sobre o método de conexão e selecione **Sim (Yes)** se não houver problemas.

**2** Aparece uma mensagem solicitando que você conecte o cabo LAN.

**3** Use o cabo LAN para conectar o conector da LAN com fio, localizado na lateral da impressora, à porta hub.



**4** Selecione **OK**.

## Conexão Wi-Fi (Wi-Fi connection)

Este é o método para conectar a impressora à rede sem usar um cabo.

**1** Selecione **Conexão Wi-Fi (Wi-Fi connection)**. Verifique a mensagem sobre o método de conexão e selecione **Sim (Yes)** se não houver problemas.

**2** Aparece uma mensagem solicitando que você configure a conexão Wi-Fi.

**3** **Se estiver fazendo a configuração a partir de um computador**  
-> Selecione **Sim (Yes)**.

**Se estiver fazendo a configuração a partir de uma impressora**  
-> Selecione **Não (No)**.

## Conexão USB (USB connection)

Este é o método para conectar a impressora a um computador usando um cabo USB.

Não conecte o cabo USB ainda.

**1** Selecione **Conexão USB (USB connection)**. Verifique a mensagem sobre o método de conexão e selecione **Sim (Yes)** se não houver problemas.

A alimentação do papel inicia e a impressora automaticamente começa a carregar a tinta pela primeira vez e a ajustar a cabeça de impressão. O carregamento da tinta e o ajuste da cabeça de impressão, quando realizados pela primeira vez, levam cerca de 25 minutos.



• Não abra as tampas da impressora ou desligue a alimentação enquanto a tinta estiver sendo abastecida pela primeira vez e a cabeça de impressão estiver sendo ajustada.



• Se você selecionou **Não conectar (Do not connect)**, as configurações de conexão e a instalação do software precisarão ser realizadas separadamente.

Prossiga a "Conexão à impressora" na p.12.

• O carregamento do sistema com tinta enche o sistema dos cartuchos de tinta à cabeça de impressão. Além disso, a limpeza é realizada para manter a impressora em ótimas condições de uso. Isso poderá fazer com que o indicador de tinta restante e o indicador de capacidade do cartucho de manutenção diminuam a quantidade exibida. Os cartuchos de tinta iniciais devem ser usados para a primeira instalação. Recomenda-se comprar cartuchos de tinta extras o quanto antes.

## Conexão LAN com fio (Wired LAN connection)

É possível configurar a impressora e as definições de conexão do computador e instalar o software durante o abastecimento inicial da tinta e o ajuste da cabeça de impressão.

Prossiga a "Conexão à impressora" na p.12.

## Conexão Wi-Fi (Wi-Fi connection)

**Se estiver fazendo a configuração a partir de um computador**

->É possível configurar a impressora e as definições de conexão do computador e instalar o software durante o abastecimento inicial da tinta e o ajuste da cabeça de impressão.

Prossiga a "Conexão à impressora" na p.12.

**Se estiver fazendo a configuração a partir de uma impressora**

->Ajuste as configurações de Wi-Fi na impressora após a impressora haver terminado de carregar a tinta pela primeira vez e de ajustar a cabeça de impressão.

Prossiga para "Ajuste das configurações de Wi-Fi na impressora" na p.13.

## Conexão USB (USB connection)

É possível configurar a impressora e as definições de conexão do computador e instalar o software durante o abastecimento inicial da tinta e o ajuste da cabeça de impressão.

Prossiga a "Conexão à impressora" na p.12.





## Conexão à impressora

As configurações de conexão à impressora e a instalação do software são realizadas usando um computador.

Você pode fazer o download dos arquivos de configuração no nosso site. Se estiver usando um PC Windows, também é possível executar o arquivo a partir do CD-ROM.

Contudo, se você selecionou **Não (No)** na etapa 3 para conexão Wi-Fi na p.11, ajuste as configurações de Wi-Fi usando apenas a impressora. Prossiga para "Ajuste das configurações de Wi-Fi na impressora" na p.13.

### Download e execução a partir do site (Windows/Mac)

**1** Insira a seguinte URL no navegador do teu computador para acessar o site.

<http://ij.start.canon>

**2** Clique em **Configurar (Set Up)**. Realize as operações restantes seguindo as instruções na tela.



**3** Clique em **Download** para fazer o download do arquivo de configuração e execute o arquivo.

Se aparecer uma tela de aviso sobre o download, selecione **Não bloquear (Do not block)**, **Permitir (Allow)**, etc. e prossiga para a próxima etapa.

Click Download on the computer to which you want to connect the printer.

Download

### Inicialização a partir do CD-ROM (Windows)

#### Se estiver usando Windows 10 ou Windows 8.1

**1** Insira o CD-ROM de instalação no computador.



**2** Clique na mensagem popup do drive de disco e clique em **Executar Msetup4.exe (Run Msetup4.exe)** na tela exibida.

**Se a mensagem não aparecer (ou se desaparecer)**

- 1 Clique em **Explorador de Arquivos (File Explorer)** na barra de tarefas.
- 2 Clique em **Este PC (This PC)** no lado esquerdo da janela que abre.
- 3 Clique duas vezes no ícone **CD-ROM** no lado direito da janela.
- 4 Se o conteúdo do CD-ROM aparecer, clique duas vezes em **Msetup4.exe**.

**3** Se aparecer a caixa de diálogo **Controle de Conta de Usuário (User Account Control)**, clique em **Sim (Yes)** e prossiga para a próxima etapa.

#### Se estiver usando Windows 7

**1** Insira o CD-ROM de instalação no computador.



**2** Quando aparecer a tela **Reprodução Automática (AutoPlay)**, clique em **Executar Msetup4.exe (Run Msetup4.exe)**.

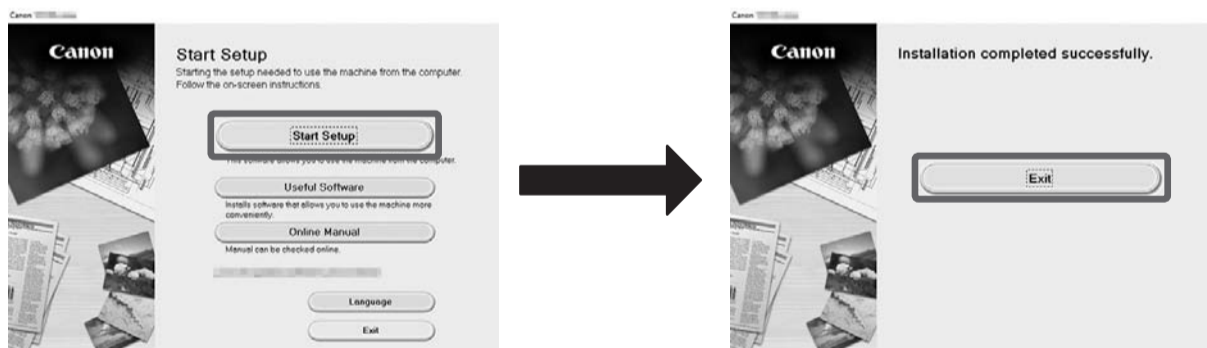
**Se a tela Reprodução Automática (AutoPlay) não aparecer**

- 1 Clique em **Computador (Computer)** no menu Iniciar.
- 2 Clique duas vezes no ícone **CD-ROM** no lado direito da janela que abre.
- 3 Se o conteúdo do CD-ROM aparecer, clique duas vezes em **Msetup4.exe**.

**3** Se aparecer a caixa de diálogo **Controle de Conta de Usuário (User Account Control)**, clique em **Continuar (Continue)** e prossiga para a próxima etapa.

**4** Clique em **Iniciar configuração (Start Setup)**.

Configure as definições seguindo as instruções na tela.



Isto conclui a configuração.



**Nota**

- A tela para seleção do método de conexão da impressora poderá ser exibida durante a configuração das definições. Caso isso aconteça, selecione o método selecionado na p.11 e clique em **Avançar** e continue com as demais configurações.
- Conecte o cabo USB ao local apropriado.

## Ajuste das configurações de Wi-Fi na impressora

Se você selecionou **Não (No)** na etapa 3 para conexão Wi-Fi na p.11, ajuste as configurações de Wi-Fi usando a tela sensível ao toque da impressora.

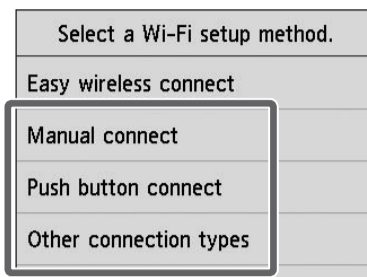
- 1** Assim que o ajuste da cabeça de impressão estiver finalizado, verifique se a tela a seguir aparece e selecione **OK**.



**Nota**

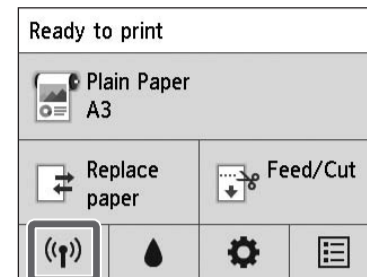
- Se a mensagem a seguir aparecer, as configurações iniciais da impressora não terminaram. Espere até a tela acima aparecer.  
**Verificando o bocal. (Checking the nozzle.)**  
**Preenchendo a cabeça de impressão com tinta... (Preparing the ink system.)**  
**Limpeza (Cleaning...)**

- 2** Selecione o método de conexão.



Ajuste as configurações de Wi-Fi seguindo as instruções na tela.

- 3** Quando a tela inicial e (ⓘ) (Rede) aparecer, as configurações de Wi-Fi estão completas.



**Nota**

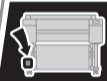
- Antes de usar a impressora, o software precisa ser instalado no computador conectado à impressora.

Prossiga a "Conexão à impressora" na p.12.



## Impressão de um smartphone ou tablet

O software aplicativo "Canon PRINT Inkjet/SELPHY" possibilita a impressão fácil e sem fio de fotos armazenadas no seu smartphone ou tablet (com sistema operacional iOS ou Android).  
Faça o download deste aplicativo através do Código QR à direita.



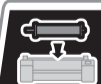
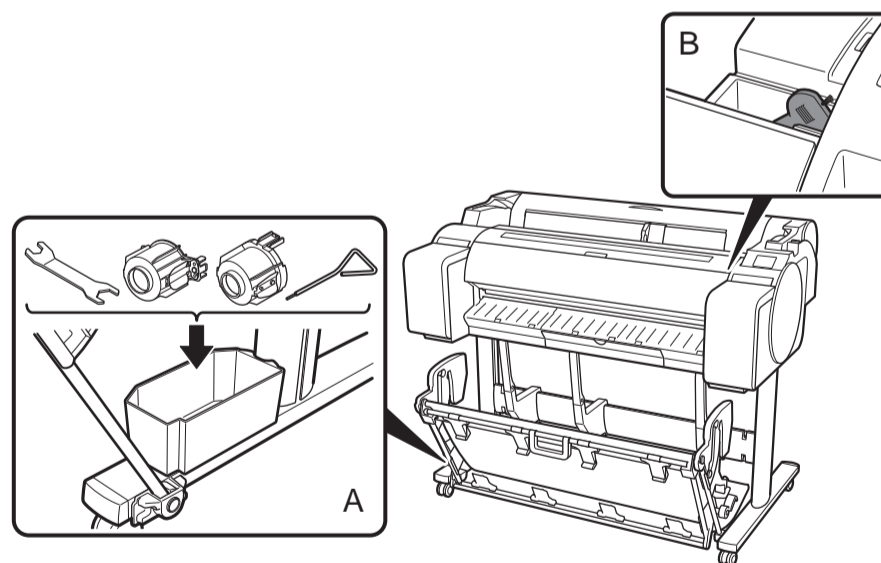
## Armazenamento de acessórios

### A: Accessory pocket

- Pode ser usado para armazenar acessórios como o anexo de núcleo de papel de 3 polegadas.
- O bolso acessório está incluso com o suporte. Consulte "Afixar o bolso acessório" no Guia de configuração de suporte da impressora (manual separado) para obter detalhes sobre como afixá-lo.

### B: Cleaning brush

- Ao abrir a tampa superior, a escova de limpeza é armazenada na direita. Utilize-a para limpar a parte interna da tampa superior.



## Carregamento de papel em rolo após a configuração

Para carregar papel em rolo após a configuração, selecione **Coloque o papel. (Load paper)** na tela inicial e, em seguida, **Coloque o papel em rolo (Load roll paper)** e siga as instruções da tela.

Para obter mais detalhes, consulte o Manual On-line. => "Como exibir o Manual On-Line" na p. 14



## Como exibir o Manual On-Line

O Manual On-line descreve como usar a impressora. É possível acessá-lo no site da Canon, conforme exibido abaixo.

1

Acesse o site da Canon a partir de um dos métodos a seguir.

- Insira a URL

<http://ij.start.canon>



- Digitalize o Código QR



\* É necessário um aplicativo especial para digitalizar o Código QR.

2

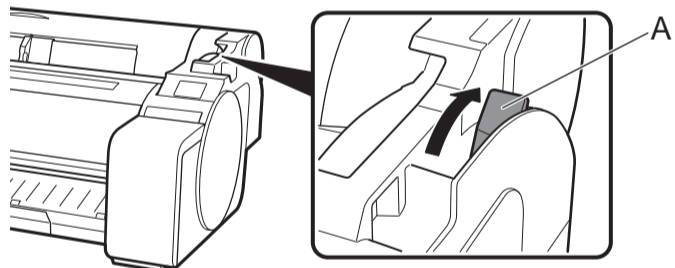
Selecione **Ler o Manual On-line (Read Online Manual)**.

Realize as operações restantes seguindo as instruções na tela para exibir o Manual On-line.



## Responder a mensagens

Mensagens de erro podem aparecer na tela sensível ao toque do painel de controle durante a instalação da impressora. Caso apareçam, elas nem sempre indicam um problema com a impressora, e a situação pode ser facilmente resolvida. As mensagens mais comuns e suas causas são listadas aqui com suas respectivas ações corretivas. Para obter detalhes sobre outras mensagens, consulte o Manual On-line.

Mensagem	Causa	Ação corretiva
Verif se tqe de tinta está definido e sua cor e direção.	Não há nenhum cartucho de tinta carregado. O cartucho de tinta não está encaixado completamente.	Instale ou reinstale o cartucho de tinta. (Consulte as etapas 1 a 8 na p.6)
A cabeça de impressão não foi reconhecida corretamente. Abra a tampa superior e instale a cabeça de impressão correta.	A cabeça de impressão não está instalada. Há falha de contato elétrico na cabeça de impressão.	Instale a cabeça de impressão. (Consulte as etapas 1 a 10 na p.7 e na p.8) Remova a cabeça de impressão, certifique-se de que não há detritos aderidos aos contatos da cabeça de impressão e do carro e reinstale a cabeça de impressão.
O papel foi carregado em um ângulo. Empurre a alavanca de liberação para trás e recarregue o papel.	O papel pode não haver sido carregado adequadamente (na posição reta). (A guia de largura pode não corresponder ao papel. Consulte a etapa 5 na p.9.)	Recarregue o papel. (Consulte as etapas 2 a 6 na p.9) Opere a seguinte alavanca de liberação (A).
Não foi possível detectar o tamanho do papel. Mova a alavanca de liberação e recarregue o papel.	O papel pode não haver sido carregado no local correto. (A extremidade direita do papel pode não estar alinhada com a linha de alinhamento do papel. Consulte a etapa 4 na p.9.)	
Erro de hardware ECxx-xxxx (x representa uma letra ou um número) Ocorreu um erro na impressora. Desligue o dispositivo, aguarde um momento e ligue-o novamente.	Você pode ter encontrado um erro que não pode ser resolvido.	Desligue a impressora e aguarde pelo menos 3 segundos antes de restaurar a alimentação. Se a mensagem aparecer novamente, anote o código e a mensagem do erro, desligue a impressora e entre em contato com o seu revendedor Canon para obter ajuda.
Erro Ecxxx-xxxx (x representa uma letra ou um número) Ocorreu um erro na impressora. Consulte o manual e entre em contato com a central de serviço.	Você pode ter encontrado um erro que não pode ser resolvido.	Anote o código e a mensagem do erro, desligue a impressora e entre em contato com o seu revendedor Canon para obter ajuda.

**Importante** • Las instrucciones de esta Guía de configuración se aplican a la impresora TM-305. Tenga en cuenta que, en algunos casos, su impresora puede ser diferente de estas ilustraciones. Sin embargo, las operaciones básicas son las mismas.

## Antes de configurar la impresora

Para garantizar que este producto se use de forma segura, asegúrese de leer las precauciones.

-> [Guía rápida \(manual aparte\)](#)

## Espacio de instalación

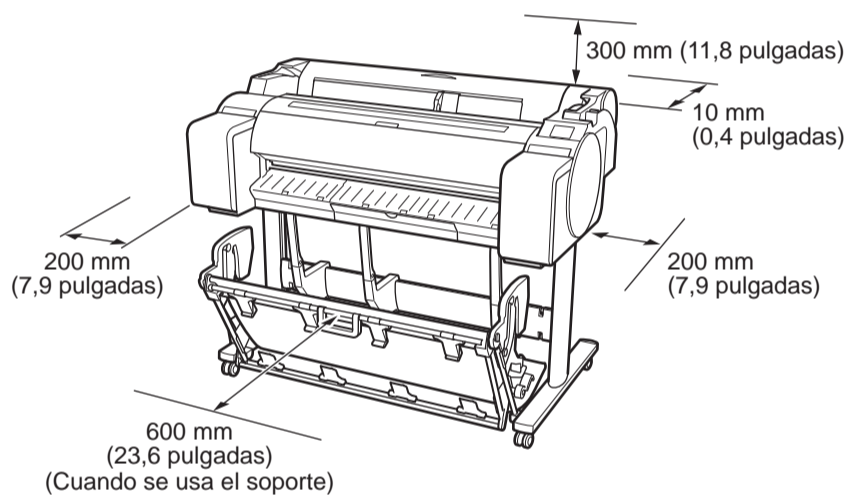
Se recomienda que reserve espacio de las siguientes dimensiones de forma tal que pueda trabajar alrededor de la impresora. Las imágenes que se presentan a continuación muestran el espacio que requiere para instalar cada impresora.

**Importante** • Es posible que el soporte de la impresora no se incluya con su modelo.  
• El espacio que debe haber delante de la impresora depende de cómo se use la cesta suministrada con el soporte de la impresora. Esto muestra el espacio de instalación cuando se usa en la posición de la ilustración.

### TM-305/TM-300

Espacio de instalación (an. x pr. x al.)

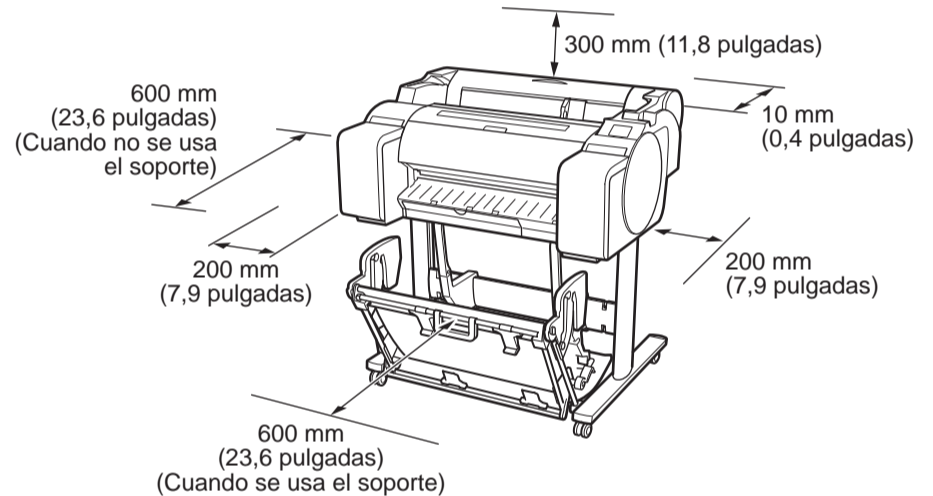
- Cuando se usa SD-32  
1689 x 1700 x 1360 mm (66,5 x 67,0 x 53,6 pulgadas)



### TM-205/TM-200

Espacio de instalación (an. x pr. x al.)

- Cuando no se usa el soporte  
1382 x 1358 x 739 mm (54,5 x 53,5 x 29,1 pulgadas)
- Cuando se usa SD-23  
1382 x 1700 x 1360 mm (54,5 x 67,0 x 53,6 pulgadas)



## Información general sobre la configuración

Configure la impresora de acuerdo con el siguiente procedimiento.

- \* Montaje del soporte (p. 3) \*Consulte el manual aparte
- Instalación de la impresora (p. 3)
- Encendido de la impresora (p. 5)
- Instalación de los depósitos de tinta (p. 6)
- Instalación del cabezal de impresión (p. 7)
- Carga del papel (p. 9)
- Ejecución del ajuste del cabezal de impresión y selección del método de conexión (p.11 a p.13)
  - Conexión a la impresora
- Compruebe esto también después de completar la configuración.
- Impresión desde un teléfono inteligente o tableta (p. 13)
- Almacenamiento de accesorios (p. 13)
- Carga del rollo después de la instalación (p. 13)
- Visualización del Manual en línea (p. 14)

Si aparece un mensaje de error durante la configuración o se produce algún otro problema, consulte "Respuesta a los mensajes" en la página 14.

• Windows es una marca comercial o marca comercial registrada de Microsoft Corporation en EE.UU. y/o en otros países.



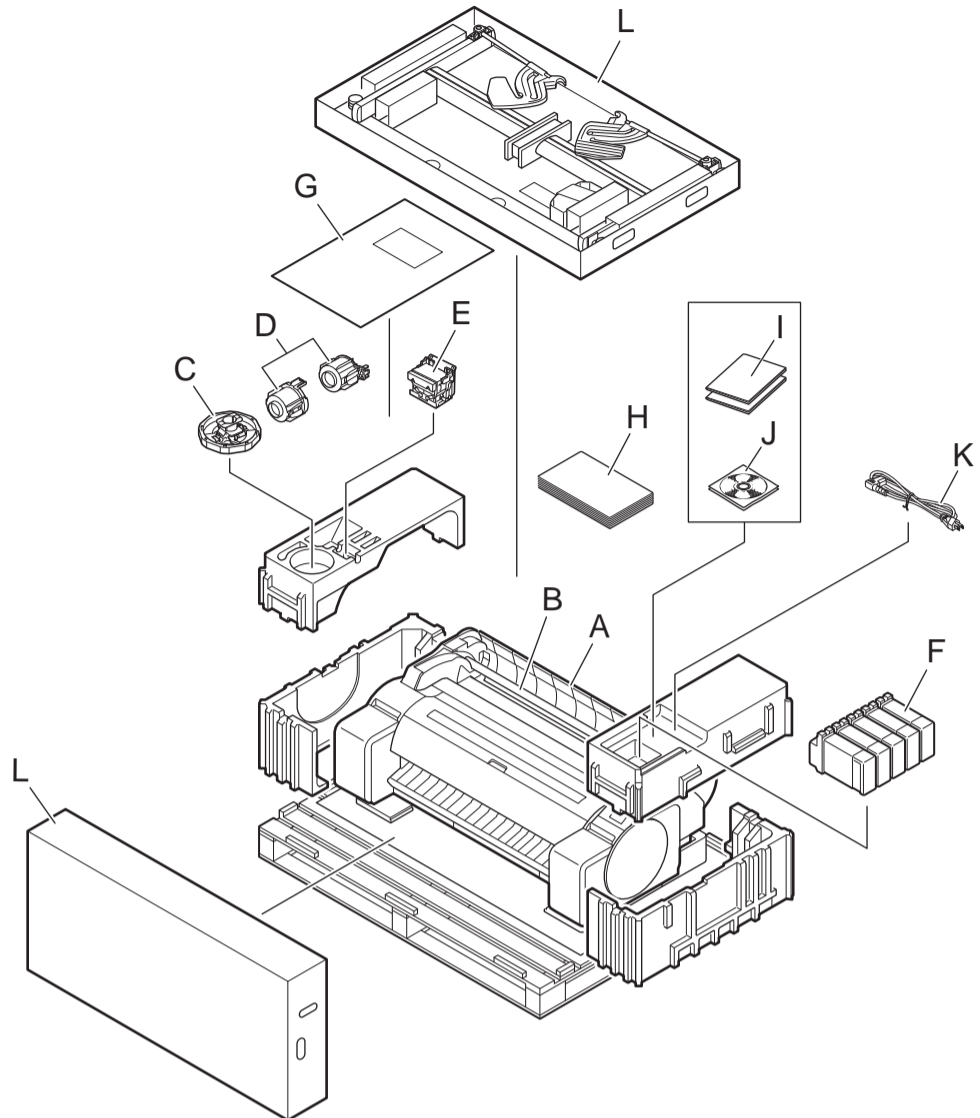
## Contenido de la caja

- A. Impresora
- B. Soporte del rollo: Ya instalado en la impresora
- C. Tope del soporte (\*1)
- D. Sujeción de tubo de papel de tres pulgadas (R, L)
- E. Cabezal de impresión
- F. Depósitos de tinta iniciales (para la primera instalación) (C, M, Y, MBK, BK)
- G. Papel para ajuste
- H. Guía de configuración (este manual)
- I. Juego de documentos de la impresora
- J. Juego de CD-ROM
- K. Cable de alimentación
- L. Soporte completo (\*2)

\*1 El tope del soporte se utiliza cuando se carga el rollo de papel. Para obtener detalles, consulte el Manual en línea.

\*2 Soporte completo

- Se incluye de manera estándar únicamente en algunas regiones.
- Podría incluirse en una caja aparte dependiendo de la región en la que compró la impresora.
- Los accesorios del soporte se describen en la Guía de configuración del Soporte de la impresora.



- Nota**
- Algunos elementos se incluyen con la impresora pero no se describen en este manual. Guarde estos elementos en un lugar seguro después de la configuración, dado que se utilizan en diversas aplicaciones de impresión.
  - Para encontrar instrucciones sobre el uso de elementos no descritos en este manual, consulte el Manual en línea. ("Visualización del Manual en línea" en la p. 14)
  - No se suministra junto con la impresora un cable para conectar la impresora a un ordenador.

## Manuales suministrados con esta impresora

Los siguientes manuales se incluyen con esta impresora.

### Manuales impresos

#### Guía de configuración (este manual)

Describe cómo configurar la impresora.

#### Guía de configuración del Soporte de la impresora

Describe cómo montar el soporte. Dependiendo de su región y de las opciones de compra seleccionadas, este podría no estar incluido.

#### Guía rápida

Contiene información relacionada con advertencias para usar este producto de manera segura así como información relacionada con la sustitución de papel, la sustitución de los depósitos de tinta y el cabezal de impresión.

### Manuales electrónicos

#### Manual en línea

El Manual en línea describe todos los aspectos del uso de la impresora desde instrucciones básicas para imprimir en un rollo de papel o en una hoja cortada hasta consejos para ahorrar papel y mantener la mejor calidad de impresión. Describe también cómo imprimir pósteres y pancartas con el software suministrado.

Para ver los manuales electrónicos, consulte "Visualización del Manual en línea" (p. 14).



## Montaje del soporte

· Cuando se usa el soporte

-> Monte el soporte en el cual instalará la impresora tomando como referencia la Guía de configuración del Soporte de la impresora (manual aparte).

· Cuando no se usa el soporte

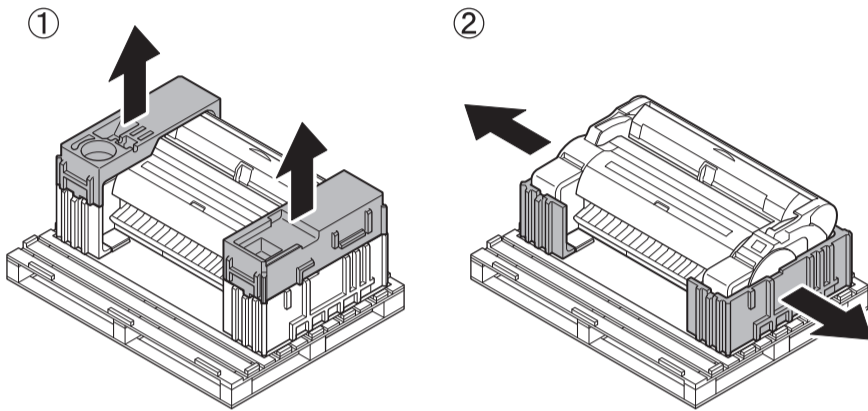
-> Continúe con "Instalación de la impresora".



## Instalación de la impresora

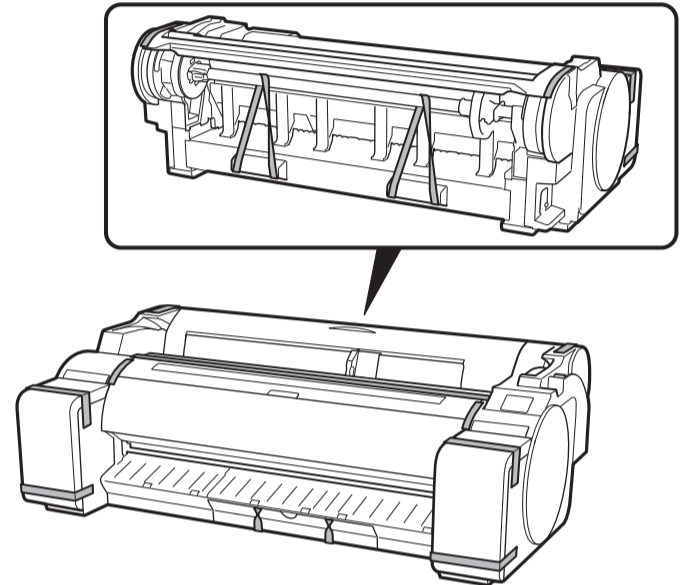
# 1

Retire el embalaje.



# 2

Retire toda la cinta y cualquier otro embalaje. Retire la cinta adherida al soporte del rollo.



# 3

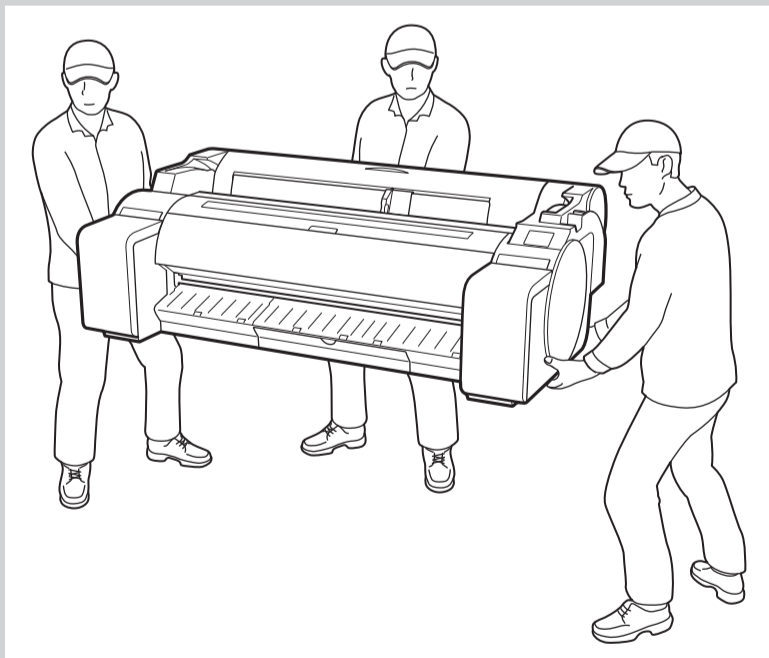
Haga que 3 personas levanten la impresora. Haga que 1 persona sujete las asas situadas en la parte inferior de la impresora en ambos lados, y que 1 persona sujete las asas del medio en la parte de atrás.

**Precaución**

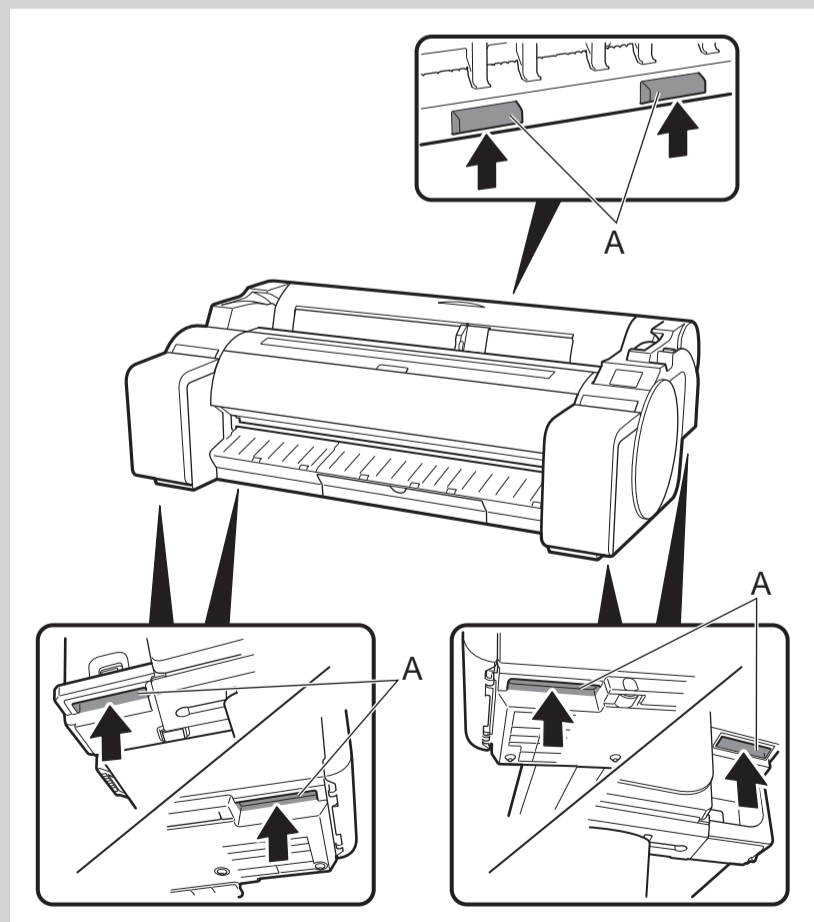
• Para mover la impresora se requieren al menos 3 personas, que la sujeten de la izquierda, derecha y de atrás. Tenga cuidado para evitar lesiones en la espalda y de otro tipo debido al peso de la impresora.

<Peso de la impresora (solo impresora)>

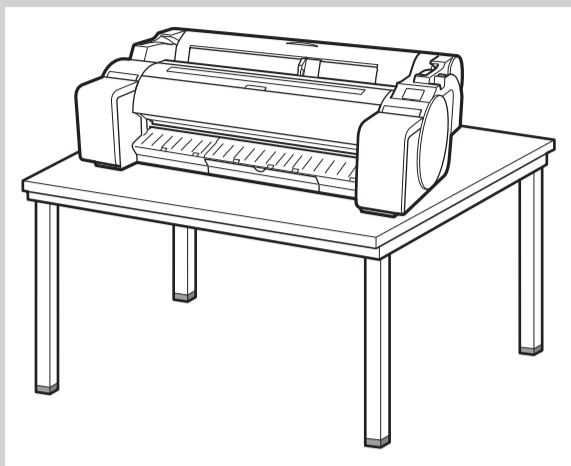
- TM-305: Aproximadamente 49 kg (108 lb)
- TM-300: Aproximadamente 48 kg (106 lb)
- TM-205: Aproximadamente 41 kg (91 lb)
- TM-200: Aproximadamente 41 kg (91 lb)



• Al mover la impresora, sujete con firmeza las asas (A) situadas en ambos laterales y en la parte de atrás. Sostener la impresora desde otras posiciones es peligroso y podría causar lesiones y daños si la impresora cae.



**Precaución** • Si tiene que dejar la impresora temporalmente, asegúrese de poner la impresora sobre una superficie plana y estable.

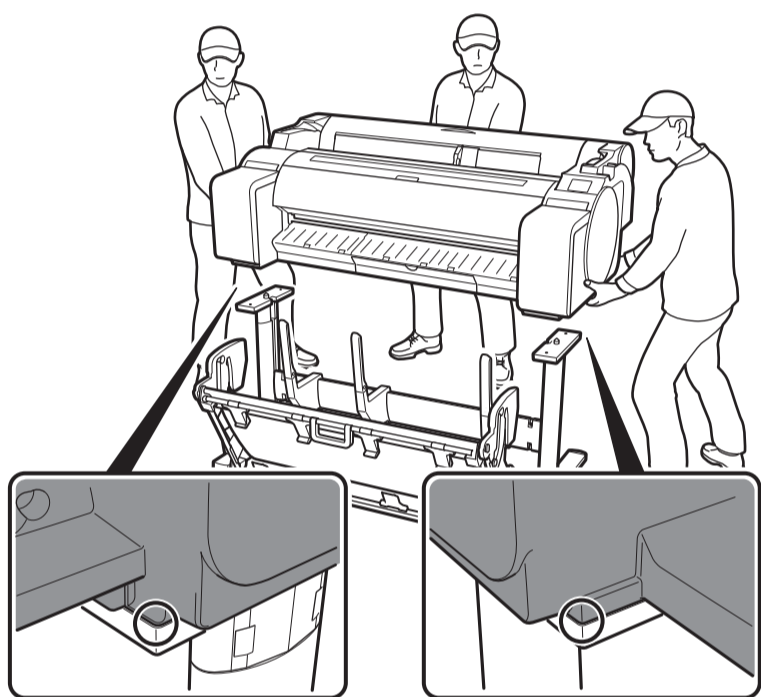


• Si sujeta solo el centro de la impresora cuando transporta o deja la impresora podría dañar la impresora.



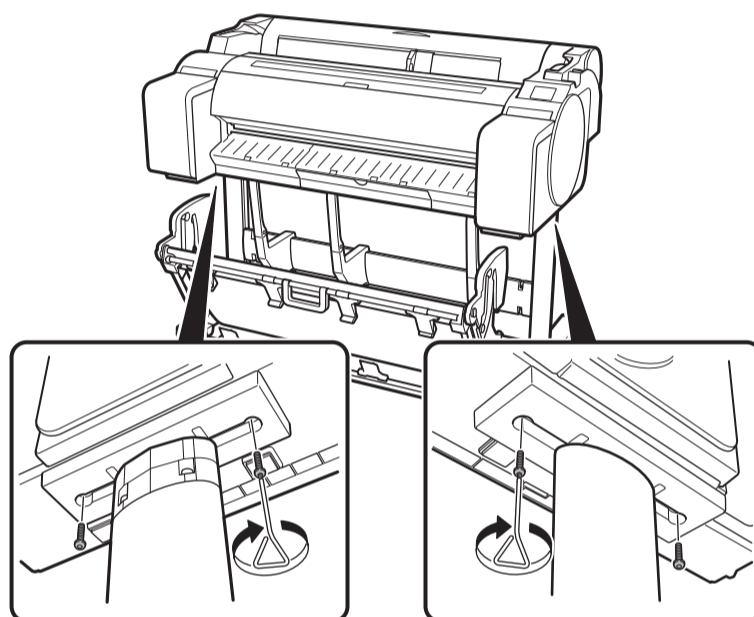
**4**

Coloque la impresora en el soporte de manera que las esquinas inferiores posteriores de la impresora estén alineadas con las esquinas del soporte.



**5**

Fije la impresora al soporte. Use una llave Allen para asegurar la impresora con 2 tornillos hexagonales M4 en cada lado de la parte inferior de la placa de soporte.



**Importante**

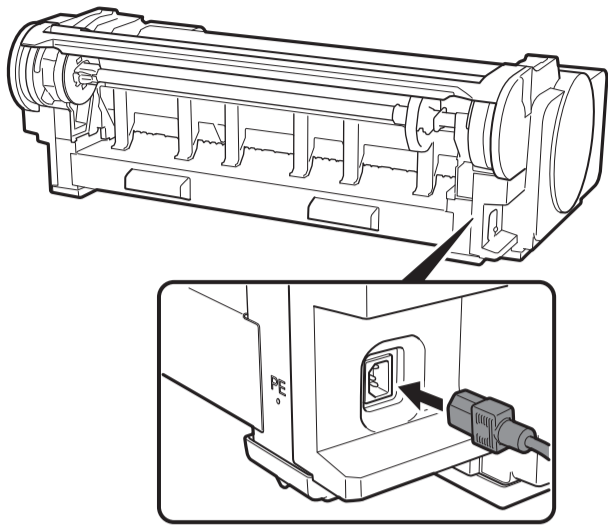
• Si no está utilizando un soporte, coloque la impresora en el lugar de instalación y continúe con "Encendido de la impresora".



## Encendido de la impresora

1

Inserte el cable de alimentación en el conector de alimentación en el lado de la impresora.

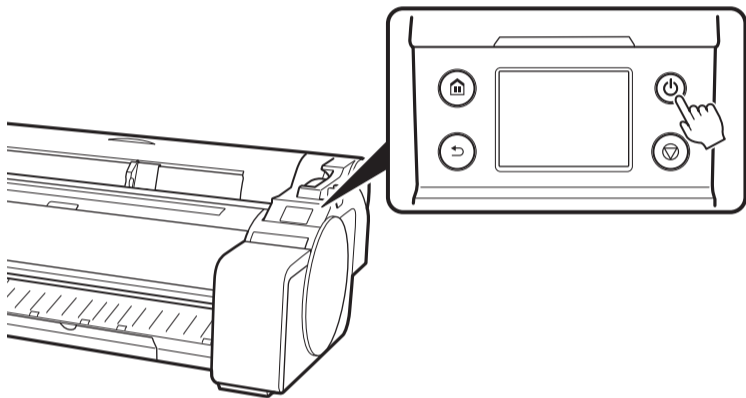


2

Conecte el cable de alimentación al tomacorriente.

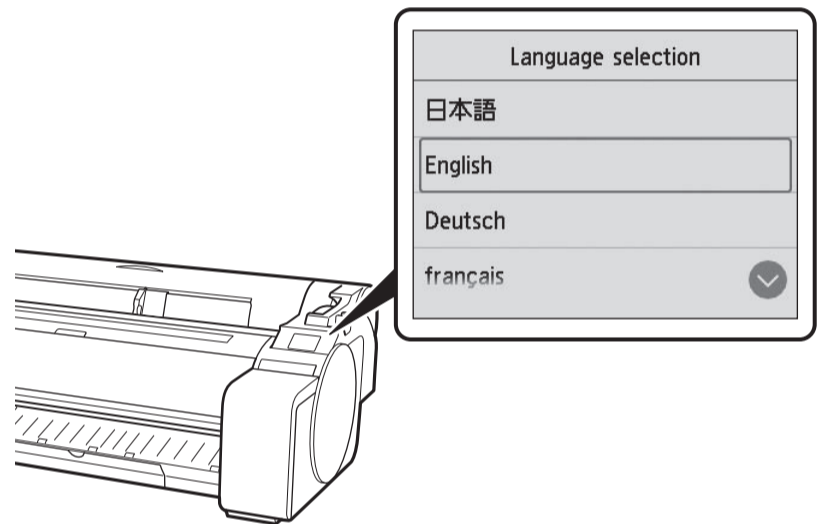
3

Encienda la impresora.



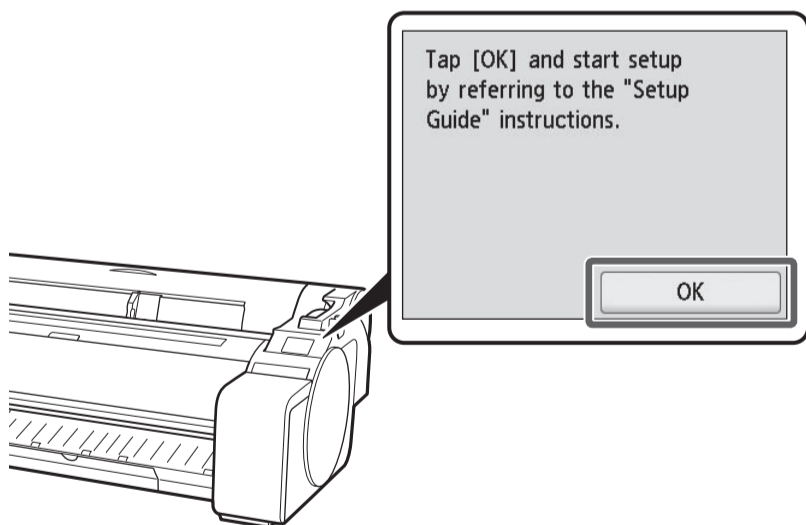
4

Al aparecer la pantalla de selección de idioma en la pantalla táctil, seleccione un idioma. Después, si aparece la pantalla para seleccionar una zona horaria, seleccione su región.

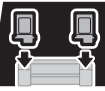


5

Al aparecer un mensaje solicitándole que inicie la configuración en la pantalla táctil, seleccione **OK**.



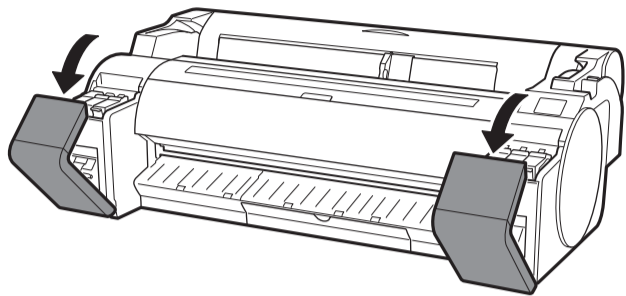




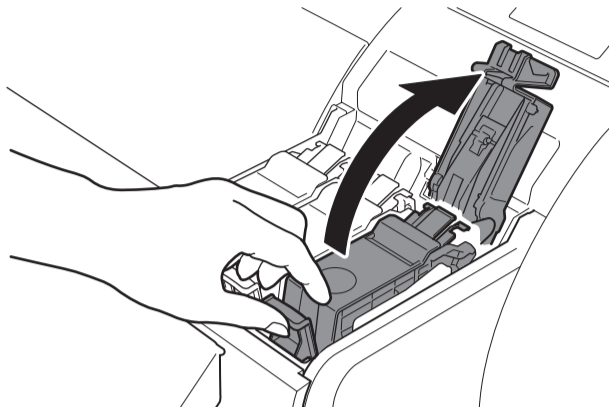
# Instalación de los depósitos de tinta

Instale los 5 depósitos de tinta siguiendo las instrucciones de la pantalla.

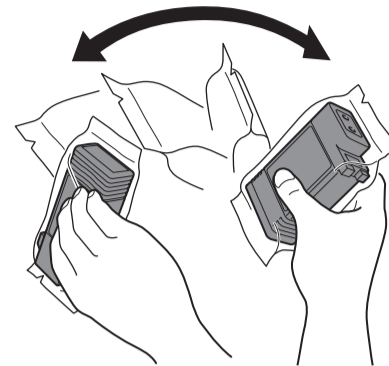
**1** Las instrucciones sobre la instalación de los depósitos de tinta se muestran en la pantalla táctil. Abra la cubierta de los depósitos de tinta según se le indique sujetando las asas.



**2** Mientras empuja la punta de la palanca de bloqueo del depósito de tinta horizontalmente, abra la palanca de bloqueo del depósito de tinta hacia arriba.



**3** Agite suavemente cada depósito de tinta 1 o 2 veces antes de abrir su bolsa.



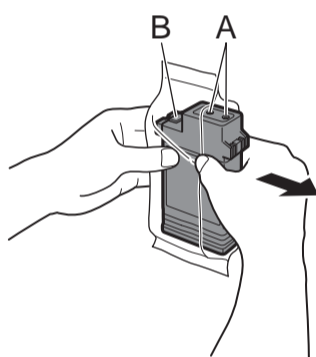
**Importante**

• El no agitar los depósitos de tinta puede resultar en la reducción de la calidad de impresión debido a que los ingredientes están sedimentados en el fondo del depósito.

**Nota**

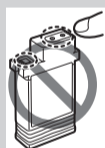
• Si el depósito de tinta está frío, deje que se ajuste a la temperatura ambiente antes de colocarlo en la impresora.

**4** Abra la bolsa y extraiga el depósito de tinta.

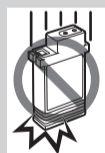


**Importante**

• Nunca toque los orificios de tinta (A) ni los contactos metálicos (B). Si toca estas piezas, puede provocar manchas, dañar el depósito de tinta, y afectar a la calidad de impresión.

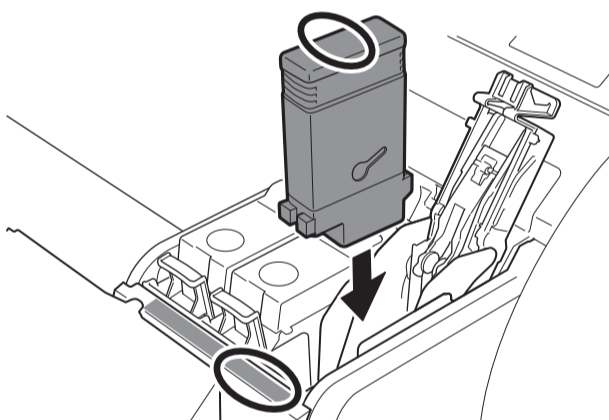


• Evite que el depósito de tinta se caiga después de retirarlo de la bolsa. De lo contrario, la tinta podría gotear y provocar manchas.



• No retire los depósitos de tinta para agitarlos una vez montados. Si lo hiciese, la tinta podría derramarse.

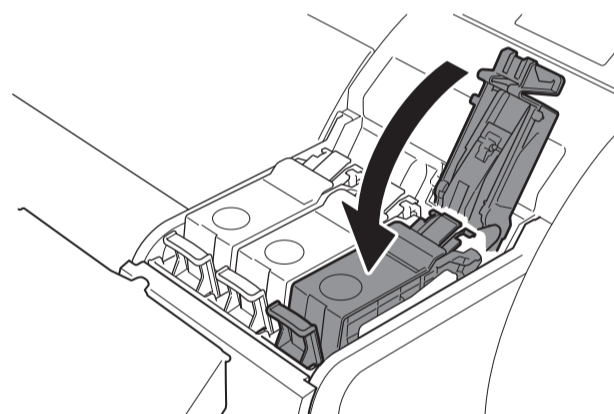
**5** Una vez que verifique que el color del depósito de tinta es igual al que se observa en la etiqueta de la impresora, inserte el depósito de tinta en el soporte tal como se observa en la figura.



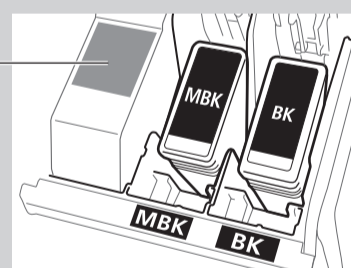
**Importante**

• Los depósitos de tinta BK (negro puro) y MBK (negro mate) se confunden fácilmente, por lo que debe tener especial cuidado con estos colores.

**6** Cierre la palanca de bloqueo del depósito de tinta hasta que haga clic.

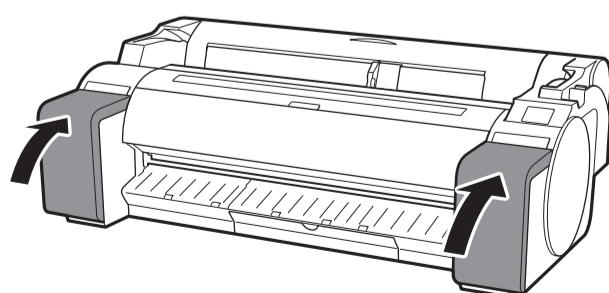


Asegúrese de revisar las etiquetas, y de comprobar que los depósitos de tinta se hayan instalado correctamente.



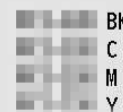
**7** Repita los pasos 2 a 6 para instalar cada uno de los depósitos de tinta.

**8** Cierre las cubiertas de los depósitos de tinta.



**9** Compruebe que el color del depósito de tinta que se configuró se muestre en la pantalla táctil, y seleccione **OK**.

The following genuine Canon ink tanks have been installed.



OK

**Importante**

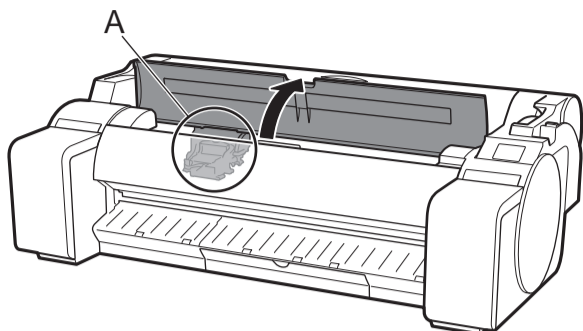
• Si la pantalla táctil no muestra el color, repita los pasos 2 y 6.



## Instalación del cabezal de impresión

1

Al aparecer la instrucción para abrir la cubierta superior en la pantalla táctil, abra la cubierta superior.



Ahora se muestra en la pantalla táctil instrucciones relativas a la instalación del cabezal de impresión.

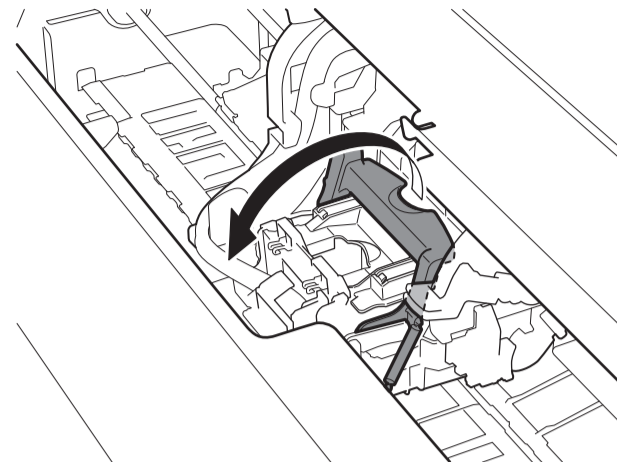


Importante

- Cuando instale el cabezal de impresión, no mueva el carro (A) de la posición que se muestra en la figura. Si de manera accidental mueve la posición del carro (A), cierre la cubierta superior. El carro (A) se moverá a la posición mostrada en la figura.

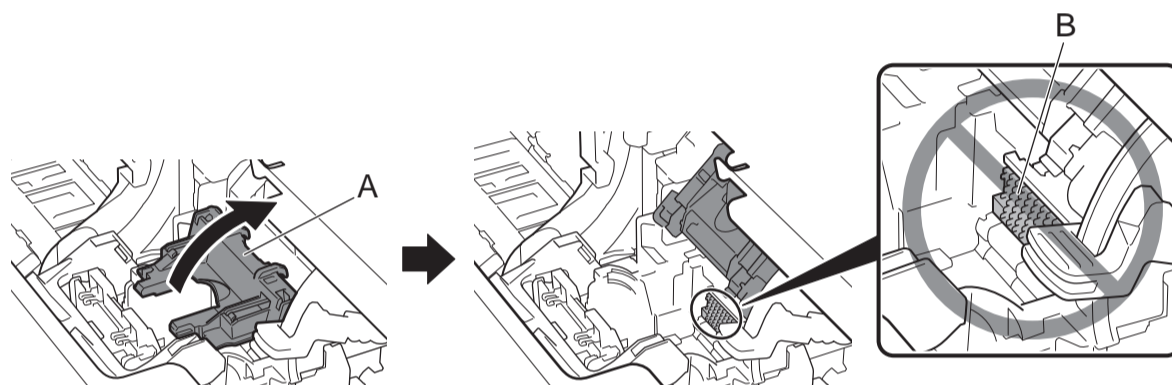
2

Incline la palanca de bloqueo del cabezal de impresión hacia usted.



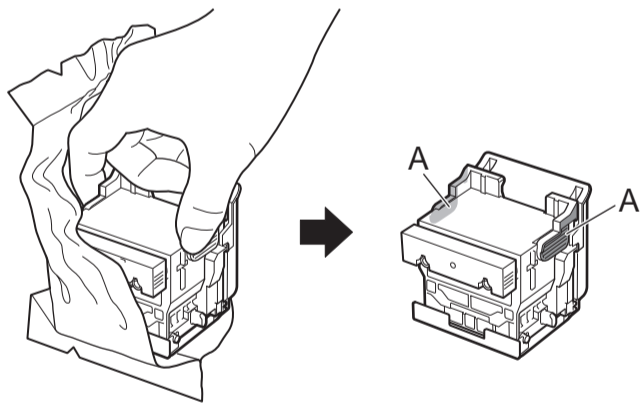
3

Abra la cubierta de bloqueo del cabezal de impresión (A) y seleccione **OK** en la pantalla táctil. En ese momento, compruebe que no haya suciedad en los contactos eléctricos (B) del carro.



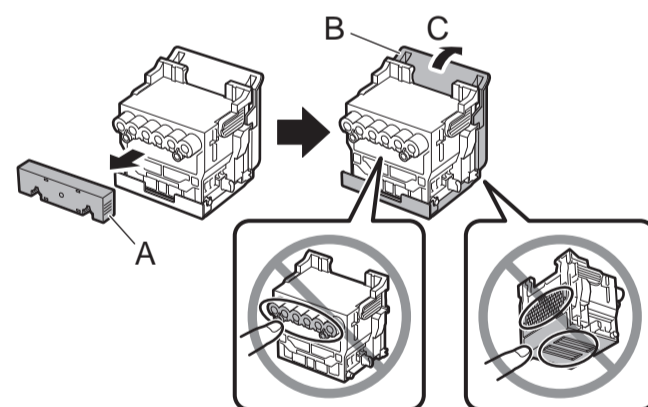
4

Retire el cabezal de impresión de la bolsa sosteniendo las partes de la lengüeta (A).



5

Retire la tapa protectora anaranjada (A), y después retire la otra tapa protectora anaranjada (B) sosteniendo la parte de la lengüeta (C).

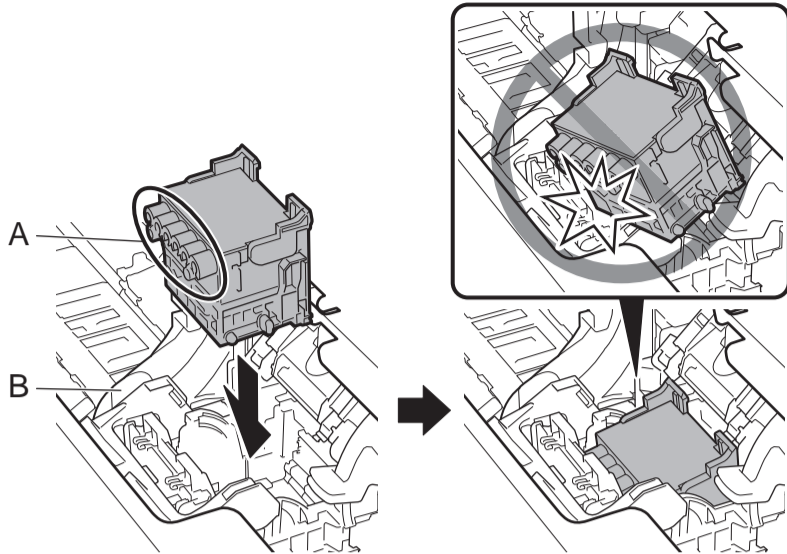


Importante

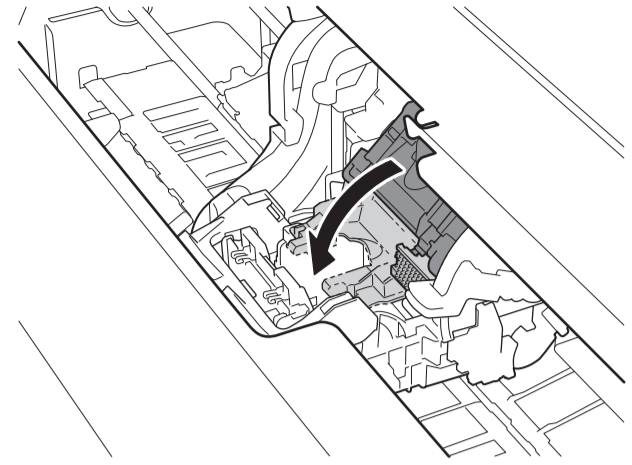
- Bajo ninguna circunstancia toque la parte protegida por la tapa protectora. Si la toca podría dañar el cabezal de impresión o tener problemas de impresión.
- El cabezal de impresión contiene tinta. Se le recomienda retirar los materiales de protección que están encima de la bolsa en la que vino el cabezal de impresión o algo parecido para evitar que los derrames manchen su ropa o lo que le rodea.
- No vuelva a colocar las tapas protectoras después de retirarlas. Descártelas de acuerdo con las normativas locales.

**6**

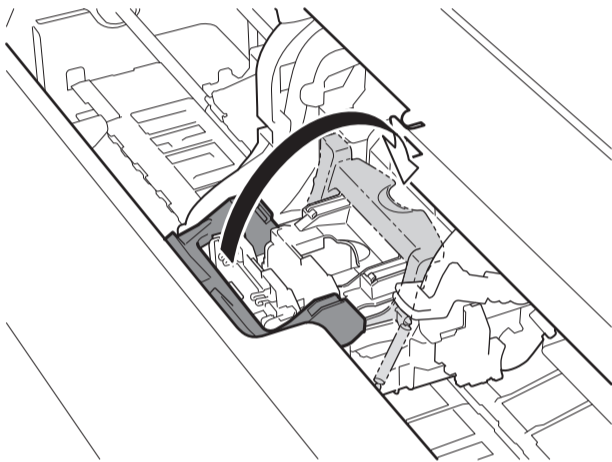
Inserte el cabezal de impresión en el carro (B) con los orificios de tinta (A) en el lado superior y mirando hacia usted tal como se muestra en la figura. Inserte con cuidado y firmeza el cabezal de impresión en el carro (B), asegurándose de que la parte tapada por las tapas protectoras no toque el carro.

**7**

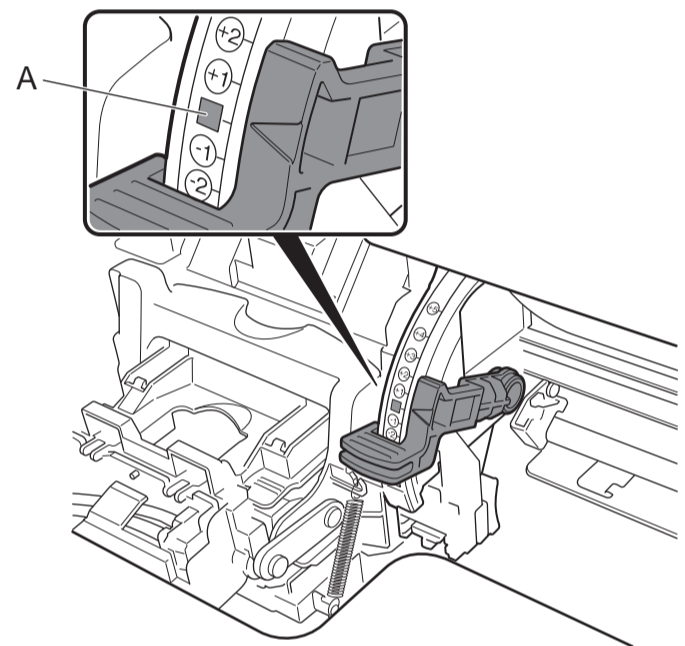
Baje la cubierta de bloqueo del cabezal de impresión hacia el frente para asegurar el cabezal de impresión en su lugar.

**8**

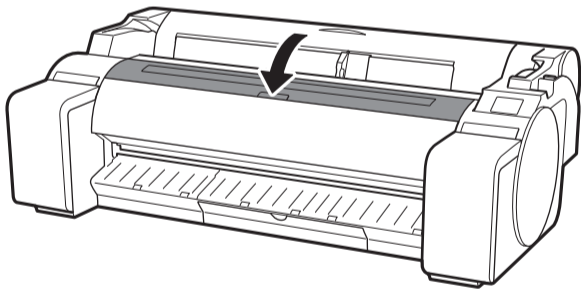
Empuje la palanca de bloqueo del cabezal de impresión hasta llegar al final.

**9**

Compruebe que la palanca de ajuste de ángulo esté alineada con la posición del ■ (A) rojo. Si no está alineada, alinee la palanca de ajuste de ángulo con el ■ (A) rojo.

**10**

Cierre la cubierta superior.



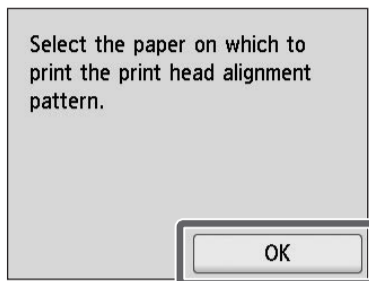




## Carga del papel

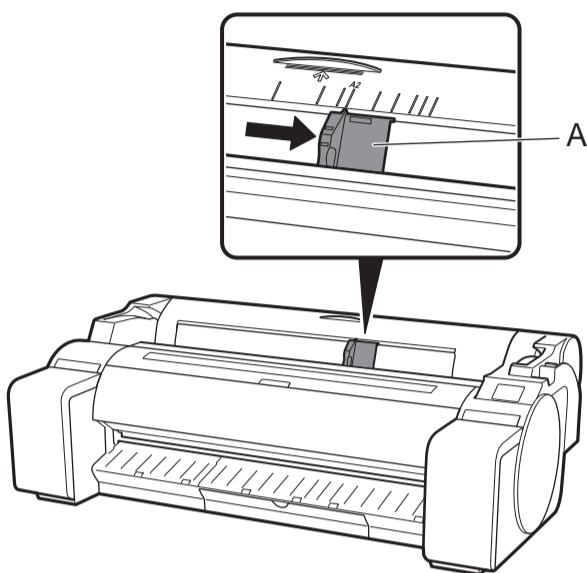
Cargue el papel para ajuste.

- 1** Cuando aparece **Seleccione el papel sobre el que imprimir el patrón de alineación del cabezal de impresión.** (**Select the paper on which to print the print head alignment pattern.**) en la pantalla táctil, seleccione **Manual**.



La pantalla táctil muestra instrucciones para cargar hojas cortadas.

- 2** Deslice la guía de deslizamiento (A) para alinearla con un marcador que indique el ancho del tamaño del papel cargado. En este ejemplo, alinee la guía con **A2**, que es el tamaño del papel para ajuste suministrado.

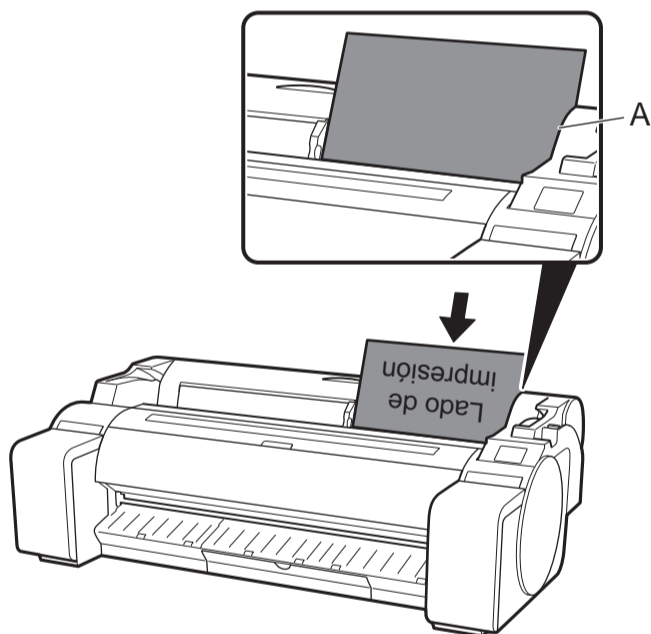


- 3** Prepare 1 hoja de papel para ajuste. Identifique el lado impreso consultando la bolsa en la que vino el papel.



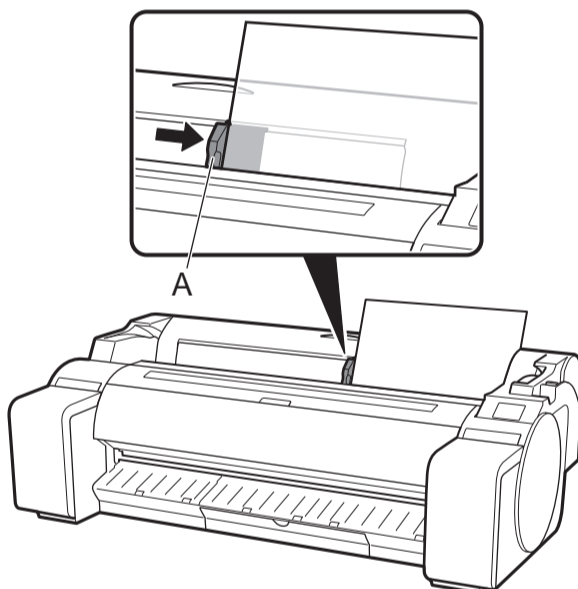
• Devuelva el papel que no haya utilizado a la bolsa en la que vino y protéjalo de la temperatura alta, humedad alta y luz solar directa.

- 4** Inserte el papel directamente en la ranura de alimentación, con el lado impreso hacia arriba, de manera que el borde derecho del papel esté alineado con la guía de alineación de papel (A) del lado derecho de la cubierta del rollo de papel. Inserte el papel hasta que el borde haga contacto y usted escuche 2 pitidos cortos.

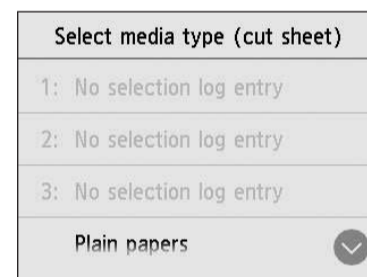


- Esta impresora permite cargar solo 1 hoja. No cargue 2 o más hojas. Si lo hace, el papel podría atascarse.
- Si el papel está arrugado o torcido, es posible que se produzca un atasco de papel. Aplane el papel antes de cargarlo.

- 5** Ajuste la posición de la guía de deslizamiento (A) de acuerdo con el tamaño del papel cargado. Alinee la guía de deslizamiento exactamente con el papel para evitar que el papel cargado se ladee o arrugue.



- 6** Aparece la pantalla para seleccionar el tipo de papel. Seleccione el tipo de papel que cargó. En este ejemplo, seleccione **Papeles revestidos (Coated papers)** y después **Papeles revestidos (Coated papers)**.



Se inicia la carga de papel.



7

Cuando termine la alimentación de papel, la impresora automáticamente comienza a cargar tinta por primera vez y a ajustar el cabezal de impresión. Esto requiere aproximadamente 25 minutos.

Durante este tiempo, instale el software en el ordenador. (Consulte "Conexión a la impresora" en la página 12)

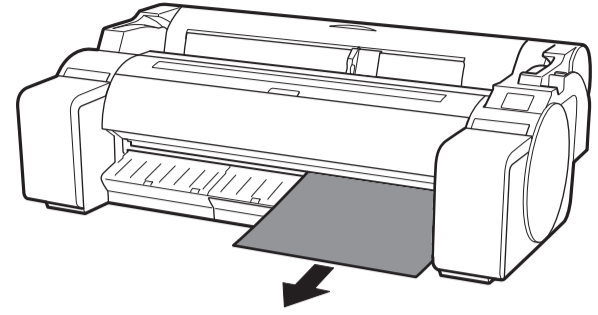


**Nota**

- Al cargar el sistema con tinta, se rellena el sistema desde los depósitos de tinta hasta el cabezal de impresión. Además, se efectúa la limpieza para mantener la impresora en óptimas condiciones. Es posible que esto haga que el indicador de tinta restante y el indicador de capacidad del cartucho de mantenimiento bajen un poco. Los depósitos de tinta iniciales son para la primera instalación. Se le recomienda adquirir sus depósitos de tinta de repuesto rápidamente.

8

Cuando el ajuste del cabezal de impresión está completo, se expulsa el papel con el patrón de ajuste impreso en este. En la pantalla táctil verá las instrucciones para retirar el papel. Ejecute el resto del procedimiento de acuerdo con las instrucciones.

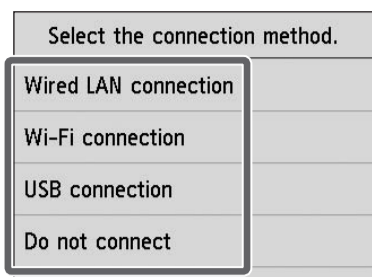


**Importante**

- No accione la palanca de liberación hasta que en la pantalla táctil aparezcan las instrucciones para retirar el papel. Si acciona la palanca de liberación mientras está imprimiendo, la impresión se detendrá a la mitad.

# Ejecución del ajuste del cabezal de impresión y selección del método de conexión

Cuando se muestre la pantalla para seleccionar el método de impresión, seleccione el método de impresión que se utilizará.



**Nota** • Si está conectando la impresora a la red con una dirección IP fija, seleccione **No conectar (Do not connect)**. Configure los parámetros desde la pantalla táctil de la impresora después que la impresora haya terminado de cargar la tinta por primera vez y de ajustar el cabezal de impresión.

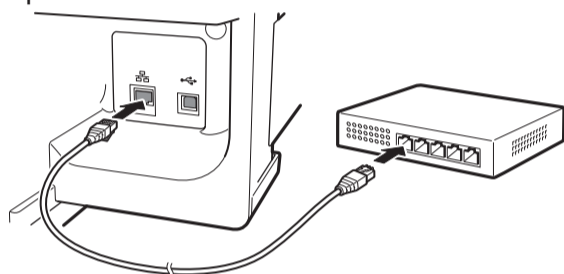
## Conexión LAN cableada (Wired LAN connection)

Este es el método para conectar la impresora a la red con un cable LAN.

**1** Seleccione **Conexión LAN cableada (Wired LAN connection)**. Revise el mensaje acerca del método de conexión y seleccione **Sí (Yes)** si no hay problemas.

**2** Se muestra un mensaje solicitándole que conecte el cable LAN.

**3** Use el cable LAN para conectar el conector de LAN cableada en el lado de la impresora al puerto hub.



**4** Seleccione **OK**.

## Conexión Wi-Fi (Wi-Fi connection)

Este es el método para conectar la impresora a la red sin un cable.

**1** Seleccione **Conexión Wi-Fi (Wi-Fi connection)**. Revise el mensaje acerca del método de conexión y seleccione **Sí (Yes)** si no hay problemas.

**2** Se muestra un mensaje solicitándole que configure la conexión Wi-Fi.

**3** **Si está configurando desde un ordenador** -> Seleccione **Sí (Yes)**.

**Si está configurando desde la impresora** -> Seleccione **No**.

## Conexión USB (USB connection)

Este es el método para conectar la impresora a un ordenador con un cable USB.

No conecte todavía el cable USB.

**1** Seleccione **Conexión USB (USB connection)**. Revise el mensaje acerca del método de conexión y seleccione **Sí (Yes)** si no hay problemas.

Se inicia la alimentación del papel, y entonces la impresora comienza a cargar automáticamente la tinta por primera vez y a ajustar el cabezal de impresión. La carga de la tinta por primera vez y el ajuste del cabezal de impresión por primera vez requiere aproximadamente 25 minutos.



**Importante** • No abra las cubiertas de la impresora ni la apague mientras la tinta está cargando por primera vez y se está ejecutando el ajuste del cabezal de impresión.



**Nota** • Si seleccionó **No conectar (Do not connect)**, los parámetros de conexión y la instalación del software tendrán que realizarse por separado. Continúe con "Conexión a la impresora" en la página 12.

• Al cargar el sistema con tinta, se rellena el sistema desde los depósitos de tinta hasta el cabezal de impresión. Además, se efectúa la limpieza para mantener la impresora en óptimas condiciones. Es posible que esto haga que el indicador de tinta restante y el indicador de capacidad del cartucho de mantenimiento bajen un poco. Los depósitos de tinta iniciales son para la primera instalación. Se le recomienda adquirir sus depósitos de tinta de repuesto rápidamente.

## Conexión LAN cableada (Wired LAN connection)

Puede configurar la impresora y los parámetros de conexión del ordenador e instalar el software mientras carga tinta por primera vez y mientras se ajusta el cabezal de impresión.

Continúe con "Conexión a la impresora" en la página 12.

## Conexión Wi-Fi (Wi-Fi connection)

**Si está configurando desde un ordenador** -> Puede configurar la impresora y los parámetros de conexión del ordenador e instalar el software mientras carga tinta por primera vez y mientras se ajusta el cabezal de impresión.

Continúe con "Conexión a la impresora" en la página 12.

**Si está configurando desde la impresora** -> Configure los parámetros de Wi-Fi desde la impresora después que la impresora haya terminado de cargar la tinta por primera vez y de ajustar el cabezal de impresión.

Continúe con "Configuración de parámetros de Wi-Fi en la impresora" en la página 13.

## Conexión USB (USB connection)

Puede configurar la impresora y los parámetros de conexión del ordenador e instalar el software mientras carga tinta por primera vez y mientras se ajusta el cabezal de impresión.

Continúe con "Conexión a la impresora" en la página 12.



## Conexión a la Impresora

Los parámetros de conexión de la impresora y la instalación del software se efectúan con un ordenador.

Puede descargar el archivo de configuración desde nuestro sitio web. Si está usando un PC con Windows, también puede ejecutar el archivo desde el CD-ROM.

Sin embargo, si seleccionó **No** en el paso 3 para la conexión Wi-Fi en la página 11, configure los parámetros de Wi-Fi solo con la impresora. Continúe con "Configuración de parámetros de Wi-Fi en la impresora" en la página 13.

### Descarga y ejecución desde el sitio web (Windows/Mac)

- 1** Ingrese la siguiente URL en el navegador web de su ordenador para acceder al sitio web.

<http://ij.start.canon>



- 2** Haga clic en **Configurar (Set Up)**. Efectúe las operaciones restantes siguiendo las instrucciones de la pantalla.



- 3** Haga clic en **Descargar (Download)** para descargar el archivo de configuración y, a continuación, ejecute el archivo.

Si se muestra una pantalla de advertencia acerca de la descarga, seleccione **No bloquear (Do not block)**, **Permitir (Allow)**, etc. y, a continuación, continúe con el paso siguiente.

Click Download on the computer to which you want to connect the printer.



### Arranque desde el CD-ROM (Windows)

#### Si está usando Windows 10 o Windows 8.1

- 1** Inserte el CD-ROM de instalación en el ordenador.



- 2** Haga clic en el mensaje emergente para la unidad de disco y haga clic en **Ejecutar Msetup4.exe (Run Msetup4.exe)** en la pantalla que se muestra.

#### Si el mensaje no apareció (o ha desaparecido)

- Haga clic en o en el **Explorador de archivos (File Explorer)** en la barra de tareas.
- Haga clic en **Este equipo (This PC)** en el lado izquierdo de la ventana que se abre.
- Haga doble clic en el icono del CD-ROM en el lado derecho de la ventana.
- Si aparece el contenido del CD-ROM, haga doble clic en **Msetup4.exe**.

- 3** Si aparece el cuadro de diálogo **Control de cuentas de usuario (User Account Control)**, haga clic en **Sí (Yes)** y continúe con el siguiente paso.

#### Si está usando Windows 7

- 1** Inserte el CD-ROM de instalación en el ordenador.



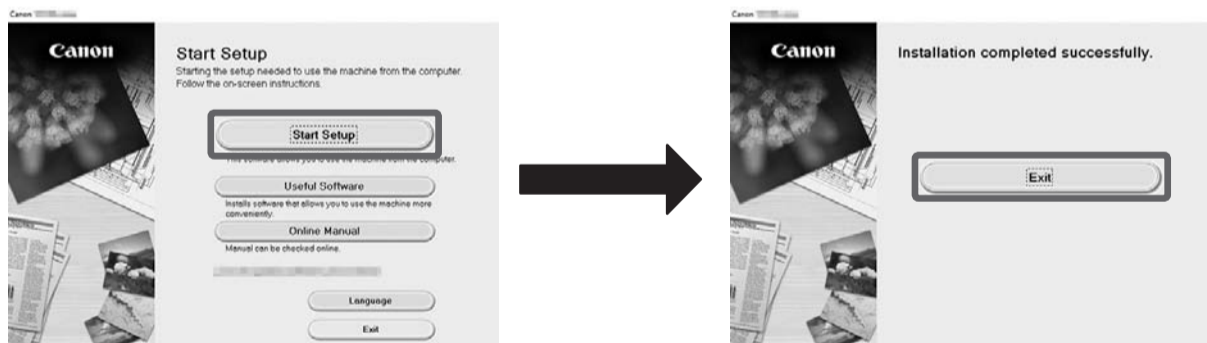
- 2** Cuando aparece la pantalla **Reproducción automática (AutoPlay)**, haga clic en **Ejecutar Msetup4.exe (Run Msetup4.exe)**.

#### Si no aparece la pantalla Reproducción automática (AutoPlay)

- Haga clic en **Equipo (Computer)** desde el menú de inicio.
- Haga doble clic en el icono del CD-ROM en el lado derecho de la ventana que se abre.
- Si aparece el contenido del CD-ROM, haga doble clic en **Msetup4.exe**.

- 3** Si aparece el cuadro de diálogo **Control de cuentas de usuario (User Account Control)**, haga clic en **Continuar (Continue)** y continúe con el siguiente paso.

- 4** Haga clic en **Iniciar configuración (Start Setup)**. Efectúe la configuración siguiendo las instrucciones en la pantalla.



Esto completa la configuración.



**Nota**

- Es posible que se muestre una pantalla para seleccionar el método de conexión de la impresora a mitad de la configuración. Si sucede esto, seleccione el método que seleccionó en la página 11 y haga clic en **Siguiente (Next)** y continúe con el resto de la configuración.
- Conecte el cable USB en la ubicación correspondiente.

## Configuración de los parámetros de Wi-Fi en la impresora

Si seleccionó **No** en el paso 3 para la conexión Wi-Fi en la página 11, configure los parámetros de Wi-Fi con la pantalla táctil de la impresora.

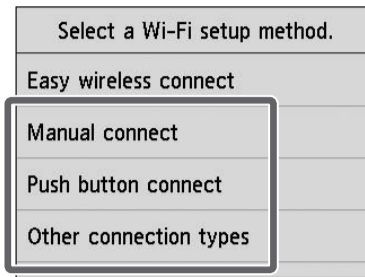
- 1** Una vez que haya finalizado el ajuste del cabezal de impresión, compruebe que aparezca la siguiente pantalla y seleccione **OK**.



**Nota**

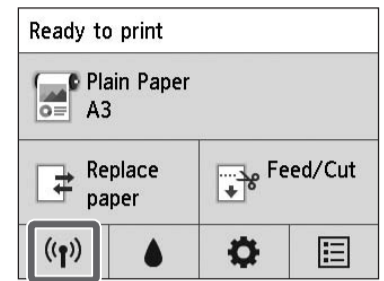
- Si aparece el siguiente mensaje, la configuración inicial de la impresora no ha terminado. Espere hasta que aparezca la pantalla de arriba.  
**Comprobación del inyector (Checking the nozzle).**  
**Rellenando el cabezal de impresión con tinta... (Preparing the ink system.)**  
**Realizando la limpieza (Cleaning...)**

- 2** Seleccione el método de conexión.



Efectúe la configuración de Wi-Fi siguiendo las instrucciones de la pantalla.

- 3** Cuando aparezca la pantalla de inicio y **Wi-Fi (Red)**, la configuración de Wi-Fi está completa.



**Nota**

- Antes de usar la impresora, es necesario instalar el software en el ordenador que está conectado a la impresora.

Continúe con "Conexión a la impresora" en la página 12.

## Impresión desde un teléfono inteligente o tableta

Con el software de aplicación "Canon PRINT Inkjet/SELPHY", fácil y de manera inalámbrica usted puede imprimir fotos guardadas en su teléfono inteligente o tableta (con iOS o Android). Puede descargar esta aplicación a través del código QR de la derecha.



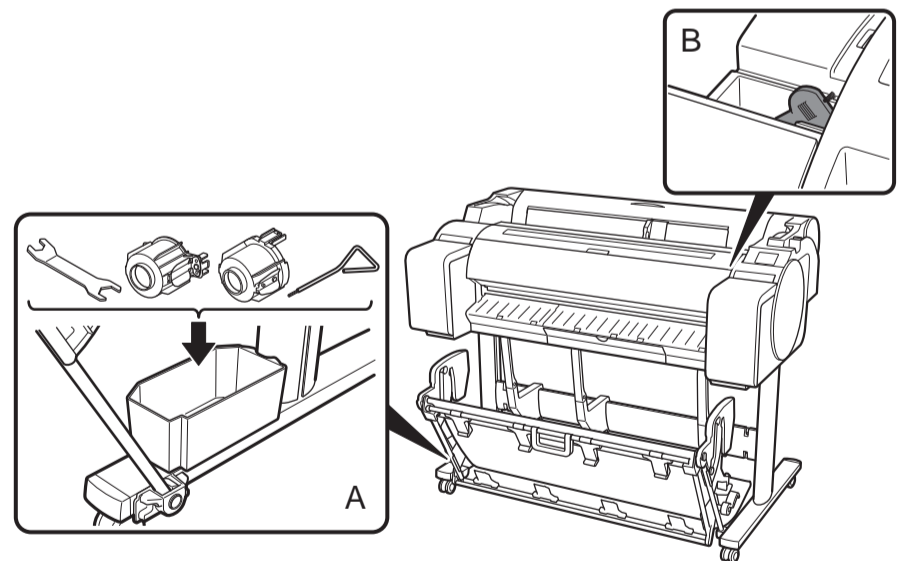
## Almacenamiento de accesorios

### A: Accessory pocket

- Puede usarse para guardar accesorios como la sujeción de tubo de papel de tres pulgadas.
- El compartimento de accesorios se incluye con el soporte. Consulte "Conexión del compartimento de accesorios" en la Guía de configuración del Soporte de la impresora (manual aparte) para obtener información acerca de cómo realizar la conexión.

### B: Cleaning brush

- Cuando abra la cubierta superior, verá un cepillo de limpieza almacenado en el lado derecho. Utilícelo cuando limpie el interior de la cubierta superior.



## Carga del rollo después de la instalación

Para cargar el rollo de papel después de la configuración, seleccione en la pantalla de inicio **Cargar papel (Load paper)** y, a continuación, **Cargar un rollo de papel (Load roll paper)**, y siga las instrucciones de la pantalla.

Para obtener detalles, consulte el Manual en línea. => "Visualización del Manual en línea" en la página 14





## Visualización del Manual en línea

El Manual en línea describe cómo usar la impresora. Se puede acceder a este desde el sitio web de Canon tal como se muestra a continuación.

1

Acceda al sitio web de Canon a través de cualquiera de los siguientes métodos.

· Ingrese la URL

<http://ij.start.canon>



· Escanee el código QR



\* Se necesita una aplicación para poder escanear el código QR.

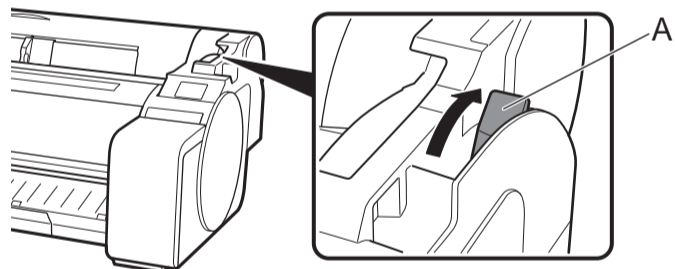
2

Seleccione **Leer el Manual en línea (Read Online Manual)**. Efectúe las operaciones restantes siguiendo las instrucciones de la pantalla para mostrar el Manual en línea.



## Respuesta a los mensajes

Es posible que aparezcan mensajes de error en la pantalla táctil del panel de control cuando configure la impresora. En este caso, es posible que no indique un problema con la impresora, y que la incidencia pueda resolverse fácilmente. Los mensajes y las causas más comunes se muestran a continuación, junto con las acciones correctivas. Para más información sobre otros mensajes, consulte el Manual en línea.

Mensaje	Causa	Acción correctiva
Comp. cart. tint. se haya ajust., y su color y dirección.	No hay ningún depósito de tinta cargado. El depósito de tinta no encaja firmemente en su lugar.	Instale o reinstale el depósito de tinta. (Consulte los pasos 1 a 8 de la página6)
No se reconoce correctamente el cabezal de impresión. Abra la cubierta superior e instale el cabezal de impresión correcto.	El cabezal de impresión no está instalado. Falla del contacto eléctrico en el cabezal de impresión.	Instale el cabezal de impresión. (Consulte los pasos 1 a 10 de la página7 y de la página8) Retire el cabezal de impresión, asegúrese de que no haya suciedad adherida a los contactos del cabezal de impresión y el carro, y después vuelva a instalar el cabezal de impresión.
Papel cargado torcido. Empuje la palanca de liberación alejándola de usted y vuelva a cargar el papel.	Es posible que el papel no se haya cargado correctamente (en línea recta). (Es posible que la guía de papel no coincida con el papel. Consulte el paso 5 de la p. 9.)	Vuelva a cargar el papel. (Consulte los pasos 2 a 6 de la p. 9) Opere la siguiente palanca de liberación (A).
No se detecta el tamaño de papel. Mueva la palanca de liberación y vuelva a cargar el papel.	Es posible que el papel no se haya cargado en una ubicación correcta. (Es posible que el extremo derecho del papel no esté alineado con la línea de alineación del papel. Consulte el paso 4 de la página9.)	
Error de hardware ECxx-xxxx (x representa una letra o número) Ha ocurrido un error en la impresora. Apague la impresora y espere unos momentos antes de volver a encenderla.	Puede haber encontrado un error que no puede resolverse.	Apague la impresora y espere durante 3 o más segundos antes de volver a encenderla. Si vuelve a aparecer el mensaje, escriba el código de error y el mensaje, apague la impresora, y póngase en contacto con su distribuidor de Canon para obtener asistencia.
Error Ecxx-xxxx (x representa una letra o número) Ha ocurrido un error en la impresora. Consulte el manual y póngase en contacto con el centro de servicio.	Puede haber encontrado un error que no puede resolverse.	Escriba el código de error y el mensaje, apague la impresora, y póngase en contacto con su distribuidor de Canon para obtener asistencia.